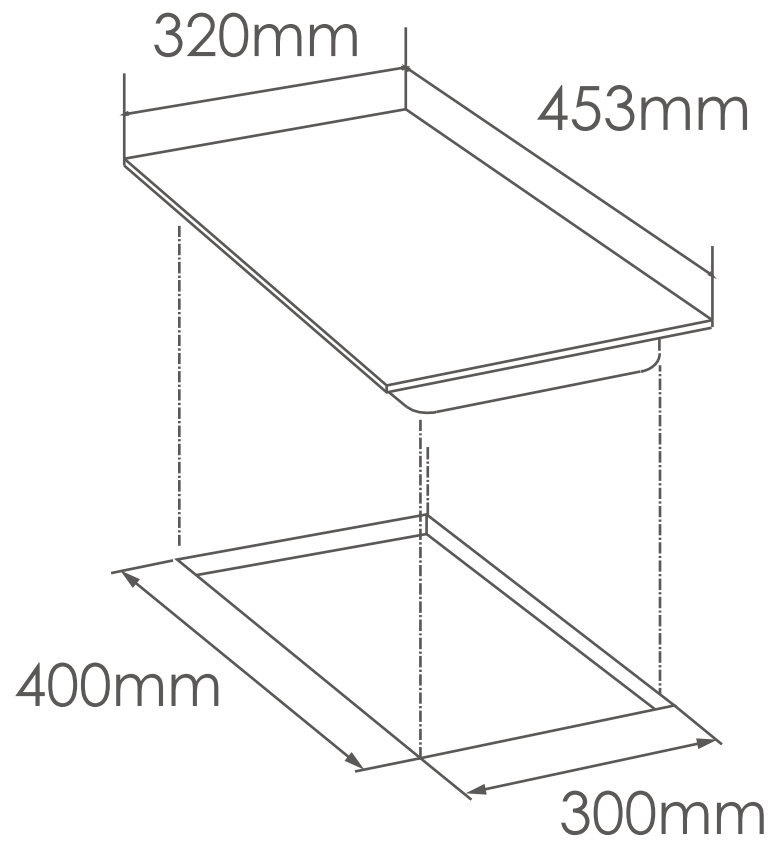


INSTALLATION DIAGRAM

Hob
EIG30102



TO BE CONNECTED TO A MIN. 15AMP CIRCUIT BREAKER