

FOTILE

Operation Instructions

Please keep it in a safe
place for reference

Be sure to read this manual
carefully before use

Built-in
Dishwasher

BD2B-G5

Dear user, thank you for your choice of FOTILE products. Please read through the Instructions to be familiar with the correct operation norms and enjoy the cooking.

Contents

I. Safety Precautions	2
Danger	3
Warning.....	3
Caution.....	4
Recommendation.....	5
Types of tableware.....	5
II. Installation	6
III. Product Information	9
■ Packing List	9
■ Names of components.....	9
■ Main technical parameters.....	10
■ Control panel	11
IV. Operation Instructions	12
■ Initial Settings	12
■ For dispensing the rinse aid and dishwasher powder.	
Refer to the actual product for the dispenser type.	13
■ Illustration of dish rack arrangement.....	14
● Daily tableware arrangement.....	14
● Instructions for Adjustable Zone	16
● Placement of Test Tableware	16
V. Introduction to Wash Cycle Operation.....	17
■ Description of Operating Procedures.....	17
■ Performance indicators of cycles.....	19
VI. Cleaning, Maintenance and Servicing	20
■ Daily Cleaning.....	20
■ Recommendations on Servicing of Dishwasher	21
VII. Troubleshooting	22
■ Common fault	22
■ Fault code and solutions.....	22
VIII. Customer Services.....	24

I. Safety Precautions

In order to avoid harm and property damage to users and other personnel, the following distinctions and signs are made. All are important matters related to safety, and you are required to strictly abide by them and use them correctly on the basis of fully understanding the contents.

This appliance is not intended for use by persons (including children) with reduced physical, sensory or mental capabilities, or lack of experience and knowledge, unless they have been given supervision or instruction concerning use of the appliance by a person responsible for their safety. Children should be supervised to ensure that they do not play with the appliance.

The capacity is 18 place settings.

The door should not be left in the open position since this could present a tripping hazard.

Product installation must be carried out by qualified personnel, and please read the instructions carefully before installation and follow the instructions for correct operation.

How to load the dishwasher, Please read the relevant chapters at the back of the manual carefully.




This appliance is intended to be used in household and similar applications such as:

- staff kitchen areas in shops, offices and other working environments;
- farm houses;
- by clients in hotels, motels and other residential type environments;
- bed and breakfast type environments.

If the supply cord is damaged, it must be replaced by the manufacturer, its service agent or similarly qualified persons in order to avoid a hazard.

The new hose-sets supplied with the appliance are to be used and that old hose-sets should not be reused.

■ Content distinguished based on the degree of harm and damage











 Danger	Ignorance of this sign and conduct of incorrect operations will be likely to cause personal damage, serious injury, or fire.
 Warning	Ignorance of this sign and incorrect operation are highly likely to cause personal damage, serious injury or fire.
 Caution	Ignorance of this sign and incorrect operation are highly likely to cause personal injury or property damage.
Suggestions	Contents we hope you to understand for safe and correct operation.
















■ Icon of cautions and prohibits

 Caution, scald	 Caution, electric shock	 Stringently execute	 Grounding required	 Prohibited	 No open flames	 No touch	 Do not operate with wet hands	 Disassembly prohibited
--	---	---	--	--	--	--	---	--

* Special note: Please operate the product in strict accordance with the Instructions. The Company will not be liable for any property loss or personal injury caused by improper use of this product.

If the provisions of the Instructions are inconsistent with the mandatory provisions of national laws, the legal provisions shall prevail.

 Danger	
 Prohibited	Do not touch electrical components such as power plugs and connectors with water. If used with water, it may cause electric shock or other accidental injuries.
 Prohibited	Please do not allow children to use the product alone or near the bottom, otherwise it may cause electric shock or other accidental injury.
 Caution, electric shock	Before installation and repair services, the power must be cut off to avoid electric shock.
 Stringently execute	When moving or disassembling products, pay attention to the corners of the box, and take care of protection to avoid cuts.
 Grounding required	The socket must be equipped with a reliable grounding wire for the sake of safety. Do not connect the grounding wire to any gas pipe, water pipe, lightning rod or telephone wire. Poor grounding may cause electric shock and other accidents.
 Prohibited	It is prohibited to restructure, stretch, buckle or squeeze the power cable with heavy objects. Otherwise, the power cable may be damaged causing accidents such as electric shock and fire.
 Do not operate with wet hands	Please do not touch power plugs or electrical components with wet hands, otherwise it is easy to be electrocuted.
 Prohibited	It is prohibited to use alcohol and other flammable solvents to clean the liner.
 Caution, scald	Please pay attention to safety when opening the door during the operation of the machine. Hot water may spill and cause scalds.

 Warning	
 Prohibited	Do not use any loose or poorly connected power socket. Otherwise, electric shock, short circuit or fire may occur.
 Prohibited	The dishwasher should only be turned on briefly when the tableware is placed and taken out to avoid injury caused by tripping.
 Prohibited	Do not put the cutting edge of the knife in direct contact with the bowl basket.
 Prohibited	Do not sit or stand on the open machine door.
 Prohibited	Do not clean the glass with a rough scrub or a sharp metal scraper, which will scratch the surface of the glass and cause the glass to break.
 Stringently execute	Please power off the machine before regular cleaning and maintenance.
 Caution, scald	Do not touch the heating device while the product is running, which may cause scalds.
 Disassembly prohibited	Non-professionals shall not dismantle the machine to repair or replace parts without authorization.
 Prohibited	Do not put dish soap or foaming detergent in when washing tableware.
 Prohibited	The door should not be left in the open position all the time since it may cause the appliance to tip over.
 Prohibited	Do not pour water directly into the dishwasher since it may cause the product to not work properly.
 Stringently execute	In case of any fault, power off immediately and stop using it, and handle it according to "Common Fault Identification and Handling".
 Stringently execute	In case the product leaks during use, please stop using it and contact the manufacturer immediately.
 Stringently execute	Knives and other utensils with sharp points must be loaded in the basket with their points down or placed in a horizontal position.

Warning

Children and people with limited mobility are not allowed to use the product. Especially, keep the product out of reach of children. Otherwise, it may cause scalds, electric shocks and other accidental injuries.	Upon installation of the dishwasher, if the power plug cannot be touched, it shall be realized by the fixed wiring switch meeting wiring rules, in order to cut off the power through such switches during repair or emergency.
After the work is finished, hot air is ejected from the opened door. People should stand a little farther away from the door so as not to be scalded by the hot air.	Appliances should be connected to the water source with new hose assemblies and old hose assemblies should not be reused.
Do not allow children to play with plastic films or packing boxes, which may cause suffocation accidents. Therefore, keep the packaging materials away from children, because the packaging materials are not toys.	Some dishwasher detergents are strongly alkaline. They can be extremely dangerous if swallowed. Avoid contact with the skin and eyes and keep children away from the dishwasher when the door is open. Check that the detergent receptacle is empty after completion of the wash cycle.
Do not directly connect the water inlet pipeline with hot water, as it will affect the normal use of the product.	

Caution

Keep the whole machine away from heat sources, gas, alcohol and other inflammable products.	Do not use any multi-purpose socket with multiple plugs.
The product will be hot during use. Please avoid contacting the heating components and surrounding locations.	Ensure that the sewer hose is smooth, and the blockage of the hose may cause the product not to work properly.
If a small amount of water is found in the liner after opening the package, it is caused by the factory qualification test, instead of the fault of the machine itself.	Please keep children away from detergents and rinsing agents. These detergents may cause burns or choking to the mouth, throat and eyes.
Please keep children away from the dishwasher with door opened. There may be small parts which are likely to be swallowed by children in the dishwasher, the water in the dishwasher is not potable, and there may be residual detergent.	Try not to leave large pieces of residue (such as bones) in the tableware to be cleaned, so as not to interfere with the rotation of the spray arm and affect the normal use of the machine and the cleaning effect.
Ensure the dish rack in place when the machine is running.	Do not install in a place that may freeze (below 0°C).

Caution

Do not place articles to be cleaned with a large amount of sediment in the product, which may cause the product to fail.	It is prohibited to pull or disassemble the connecting wire at the top of the machine.
The damaged power cable must be replaced by specialized personnel from the manufacturer, its repair department, or a similar department to avoid danger.	It is not recommended to use very sticky dishwasher liquid otherwise may affect product status.

Suggestion

After each washing, please clean up the food residue in the residue basket in time.	When placing tableware, avoid fragile objects such as goblets to touch other tableware.
Before washing tableware, it is recommended to add special dishwashing powder.	Please pre-clean the tableware in advance and dispose of large food residue before putting it in the dishwasher for washing.
If there are stains that are difficult to clean by hand or even steel wool on the tableware, they cannot be cleaned if the tableware is put into the dishwasher directly. It is recommended to pretreat the stains on the tableware and then put the tableware into the dishwasher for cleaning.	

Pay attention to the type of tableware

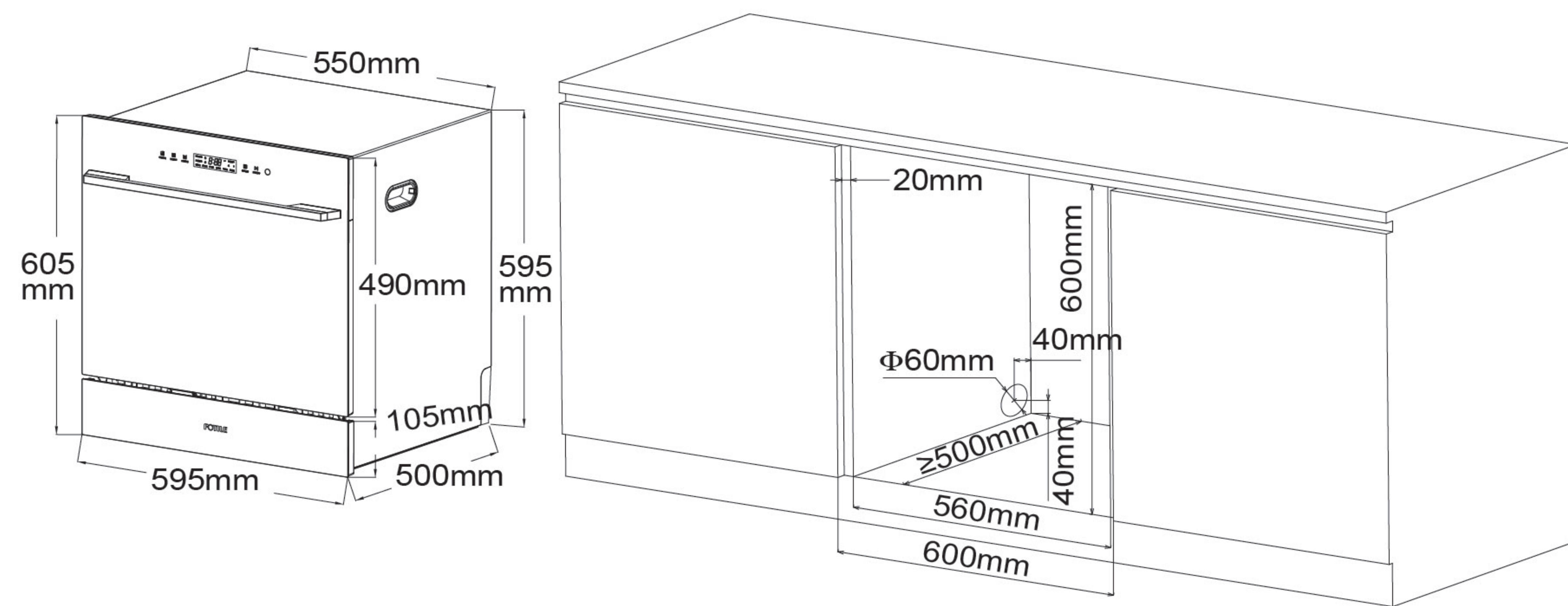
Tableware and materials	Washable or not	Tableware and materials	Washable or not
Aluminum	No	Stainless steel	Yes
Bottles and cans	No The label has glue, which will block the spray arm and is not conducive to washing	Fine silver	Yes
Cast iron	No Easy to rust	Tin	No Easy to corrode and rust
Ceramic	Yes Except for bone porcelain and utensils with surface pattern easy to fall off	Wood ivory	No Untreated wood can be twisted and cracked
Crystal	Yes	Hollow handle cutter	No The adhesive in the cutter will loosen under the action of hot water
Gold	No Color will change		
Glass	Yes	Copper, bronze	No It will deform and discolor under the action of hot water and detergent
Single-use plastic	No It cannot withstand hot water and detergent		
Plastic	Yes		

Note: 1. Please make sure that the tableware are dishwasher safe within the specified temperature range of the washing program;
2. For more detailed information, please consult the after-sale service center.

II. Installation

■ Installation Method

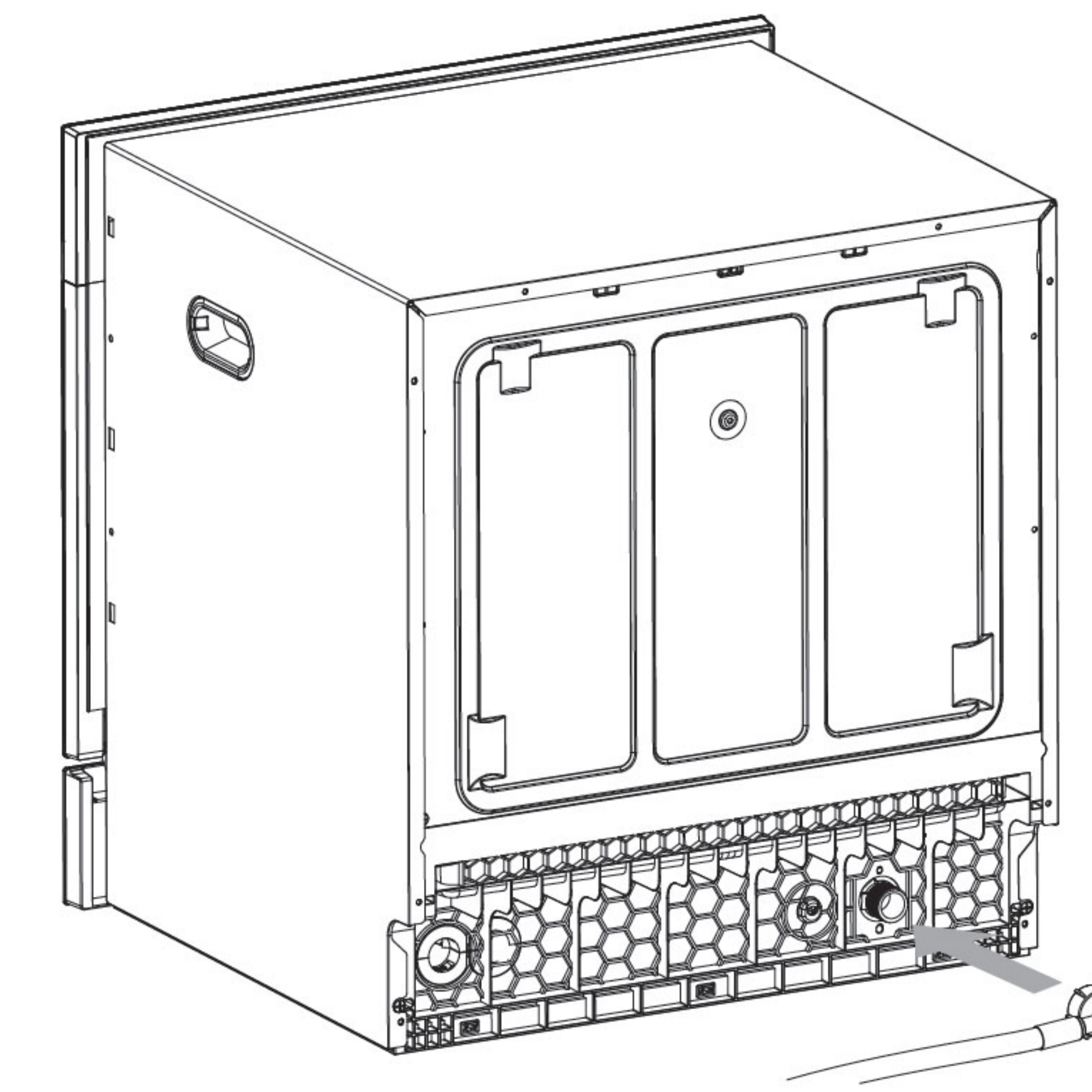
● Product dimensions and cut-out size for installation



- 1.The dishwasher is embedded in the cupboard, and the recommended cut-out size of the cabinet is 560 (W) x 600 (H) x 500mm (D) (including the door it can be slightly adjusted according to the actual size).
- 2.The installation location should be close to the drainage and water inlet, with a 13A three-hole socket, and the socket should be reliably grounded and installed in the cupboard adjacent to the dishwasher.
- 3.The water inlet pressure shall be 0.14MPa-1MPa.
- 4.Installation position: There should be a $\Phi 60\text{mm}$ opening at the bottom of the cupboard for the water inlet pipe, drain hose and power cable, enough for them to pass through.
- 5.The power cable of the product shall be plugged into a fixed socket, and no multi-purpose socket is allowed.
- 6.There is an air outlet at the bottom of the dishwasher. Do not block the outlet with foreign objects to avoid affecting the dishwasher's operation.
- 7.The dishwasher is embedded in the cupboard, make sure the base plate of the cupboard can bear the weight of more than 60kg;
- 8.Make sure that your dishwasher and the grounding connection of the home power grid is installed by the professional service personnel to ensure the power safety of the dishwasher.

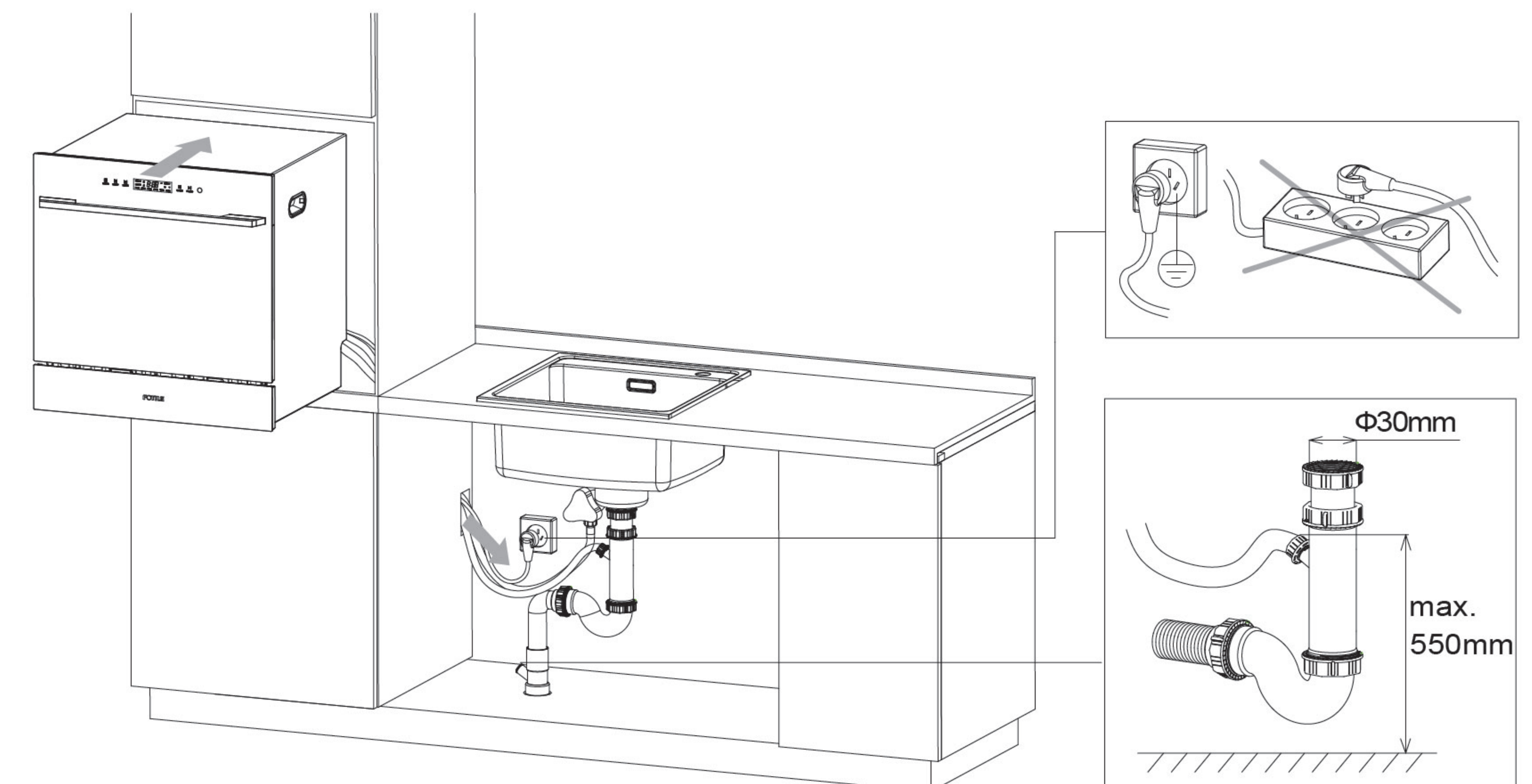
● Connect Water Inlet Pipe

- 1.Check the connection between the water inlet pipe and the three-way valve to see if the gasket is normal.
- 2.Tighten the four-way connector of the three-way valve and the four-way connector of the tap water pipe.
- 3.Tighten the four-way connector of the water inlet pipe and the four-way outlet connector of the two-way valve of the dishwasher.



● Connect Drain Hose

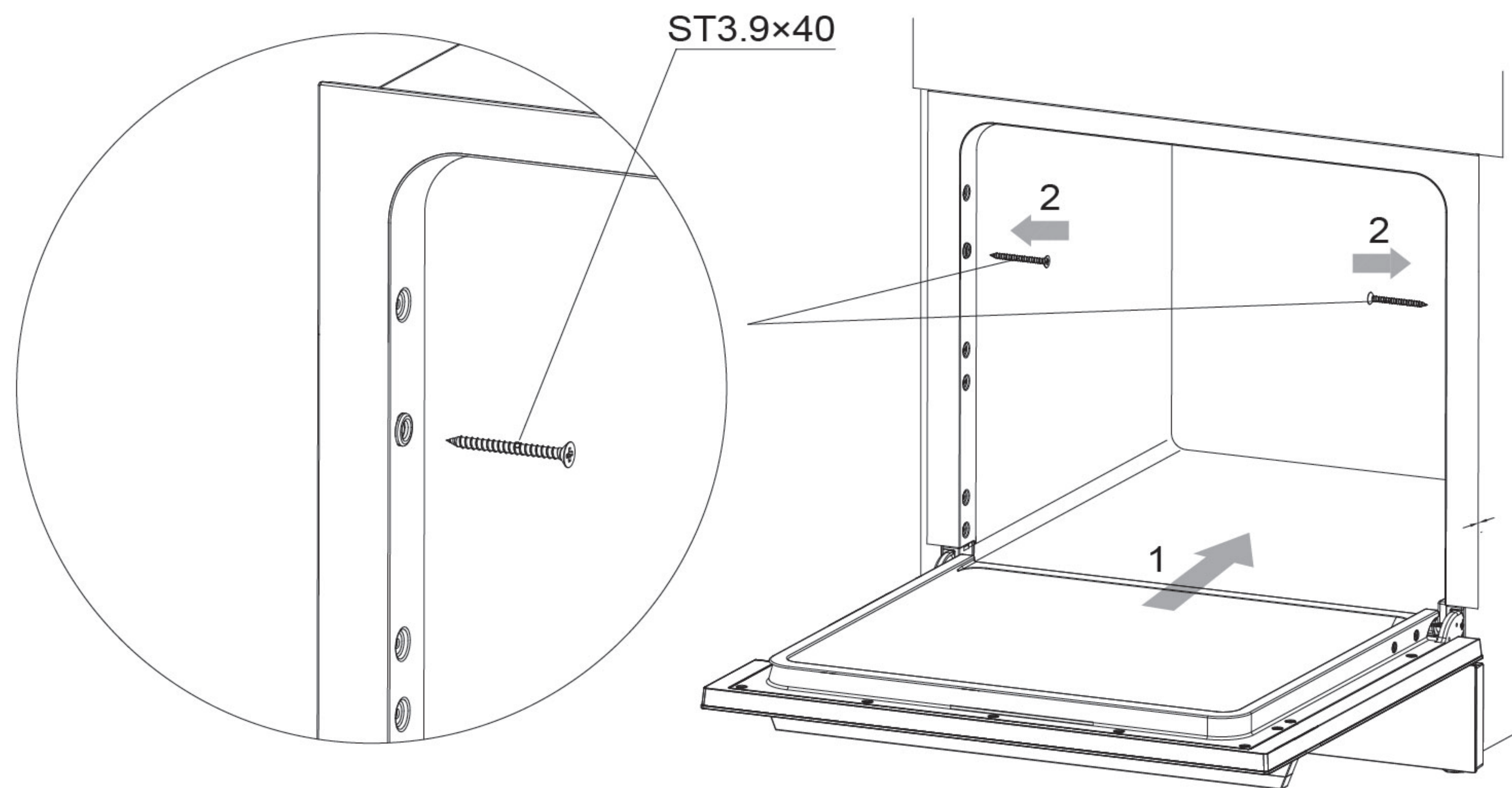
- 1.The end of the drain hose can be inserted into the vertical sewer hose.
- 2.It can be connected to the drainage two-way joint of the sink drainage and the sewer hose.
- 3.Before installation, ensure that the drain hose is free from bending, extrusion, or dents.
- 4.The highest point of the drain hose should not be greater than 550mm from the ground.



Schematic Diagram of Tall Cabinet

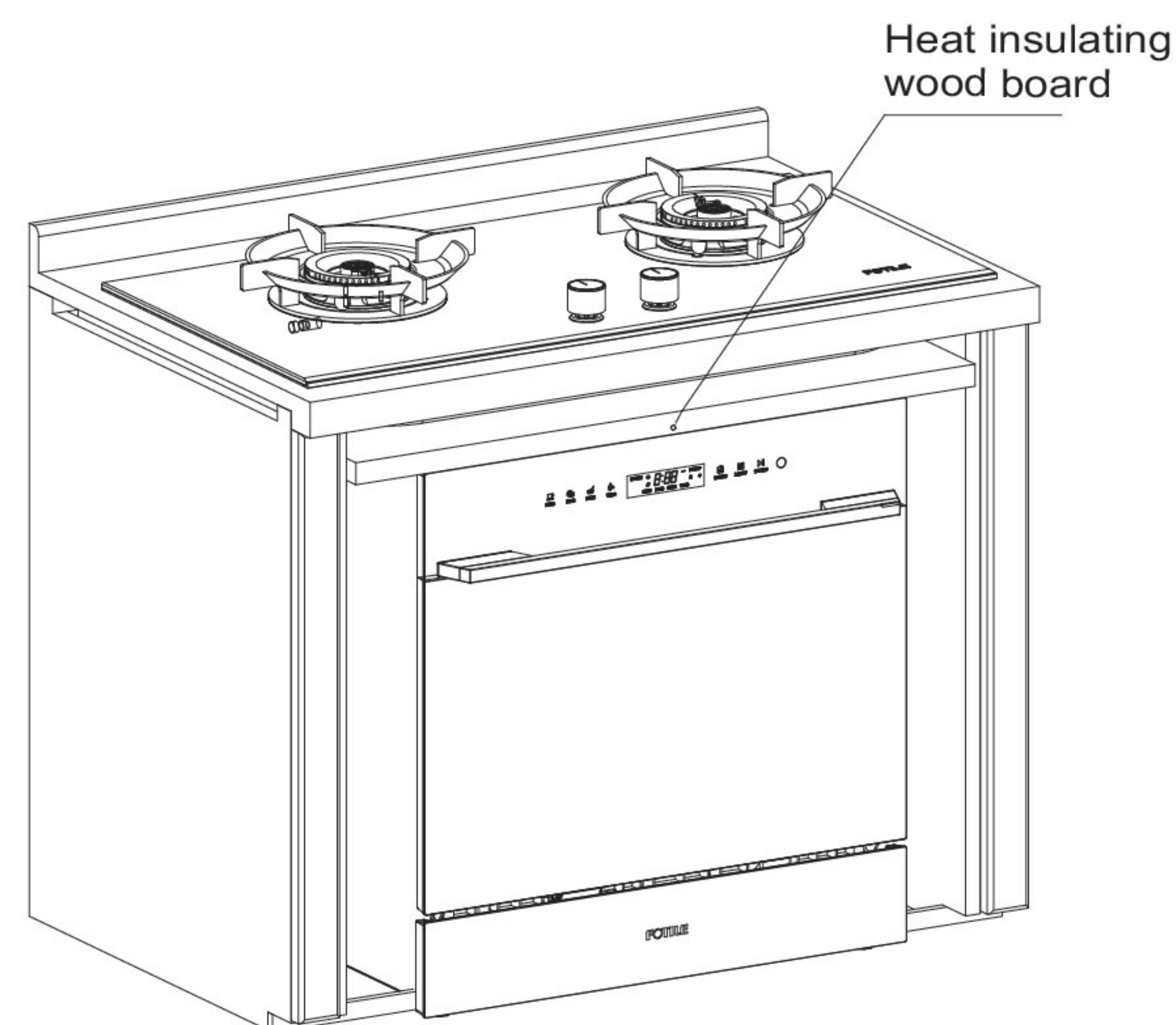
● Install the dishwasher

After the dishwasher is pushed into the cupboard, fix the dishwasher in the cupboard with two ST3.9 × 40 wood screws in the accessories, as shown in the figure, and confirm that the dishwasher cannot be moved.



● Combined installation of dishwasher and stove

- 1.If the dishwasher is installed under or above other household appliances, please carefully read the installation instructions of each household appliance to be installed in combination with the dishwasher before commencement, to ensure the correct installation;
- 2.If there is no relevant information or precautions, consult the customer service of the manufacturer of such household appliance, and do not install the dishwasher under or above the household appliance that is clearly not allowed to be installed in combination with the dishwasher;
- 3.To ensure the safety of combined installation of household appliances, the installation instructions of the dishwasher shall also be observed for combined installation of other household appliances and the dishwasher;
- 4.Do not install the dishwasher near any heat source. If it is installed under the stove, the specified safety distance must be observed, with the minimum safety distance not less than 50mm, and a heat insulation board shall be installed between the stove and the dishwasher;
- 5.Do not make the dishwasher in direct contact with the gas pipeline, power cable and other installed parts, which may affect the life of the above parts.



III. Product Information

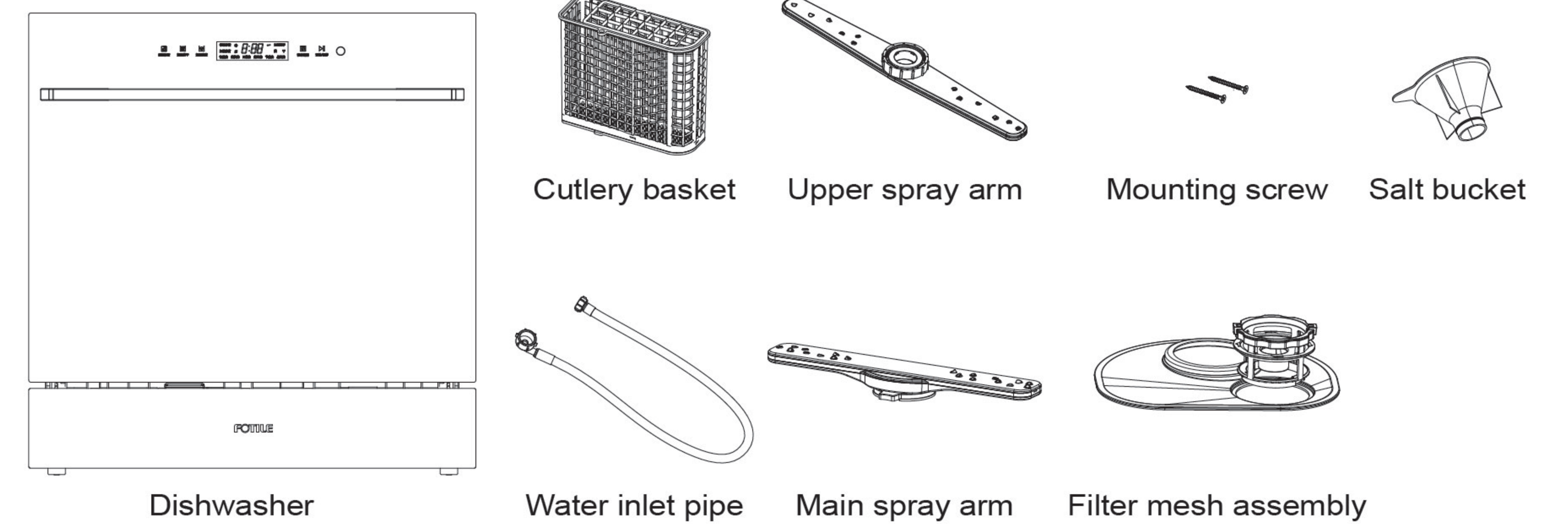
■ Packing list

Please check whether the following product and accessories are complete upon unpacking.

In case of missing or damage:

■ Please contact the distributor

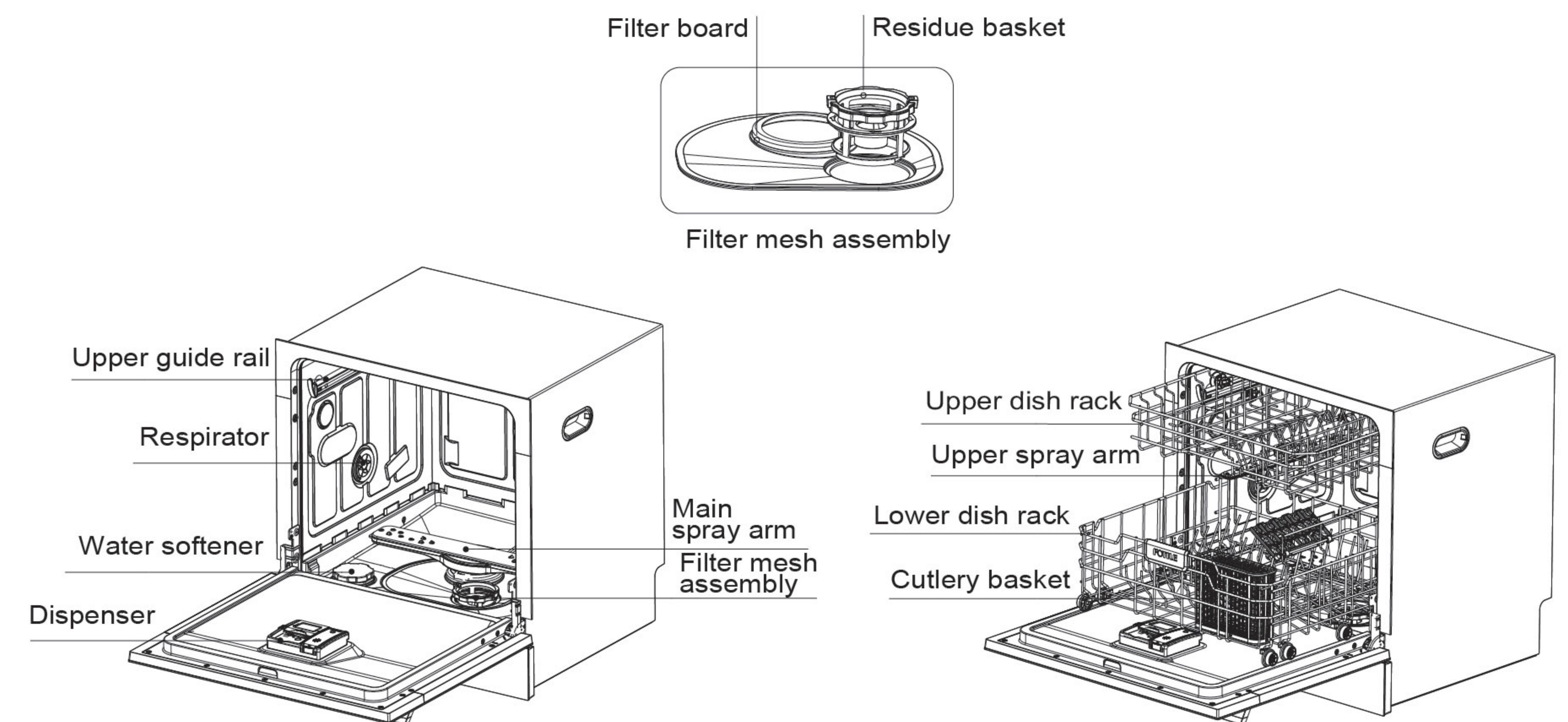
■ Please contact us by calling FOTILE service hotline



Dishwasher	1unit	Salt bucket	1pc
User Manual	1unit	Main spray arm	1pc
Water inlet pipe	1pc	Upper spray arm	1pc
Dish rack	2set	Filter mesh assembly	1set
Cutlery basket	1set	Mounting screw, ST3.9x40	2pcs

Note: The pictures are for reference only and the product is subject to the actual product.

■ Names of components

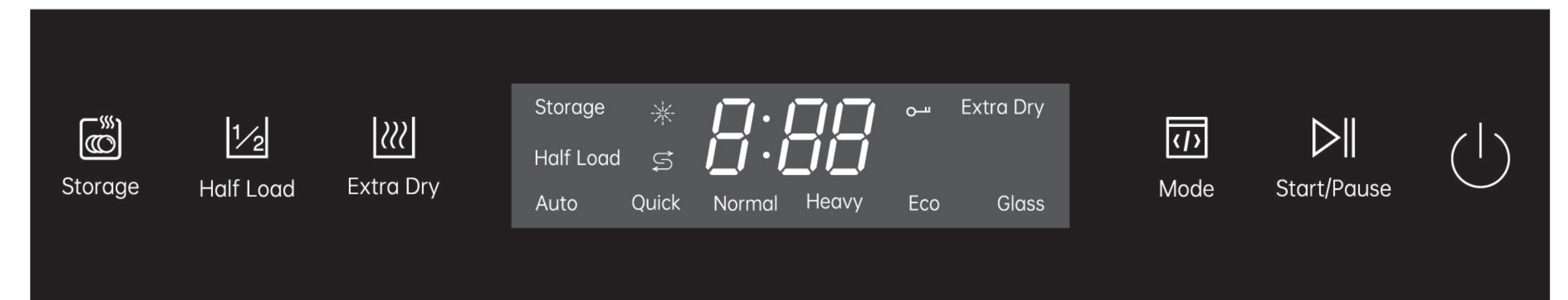


■ Main technical parameters

Model	BD2B-G5
Power supply	220-240V 50Hz
Rated input power	1900W
Net weight	30kg
Normal working water pressure	0.14MPa-1MPa
Heating mode	Heating by heating plate
Overall dimensions	595mm (W) x 605mm (H) x 500mm (D)
Rinse mode	Spray rinse
Standard storage capacity	6 deep plates, 6 shallow plates, 12 rice bowls, 6 noodle bowls, 6 seasoning plates, 6 glass cups, 6 mugs, 12 pairs of chopsticks, 12 small spoons, 1 rice spoon, 1 large spoon, 1 large soup bowl and 1 fish steaming plate.

Notes: The rated input power is measured in Heavy mode.

■ Control panel

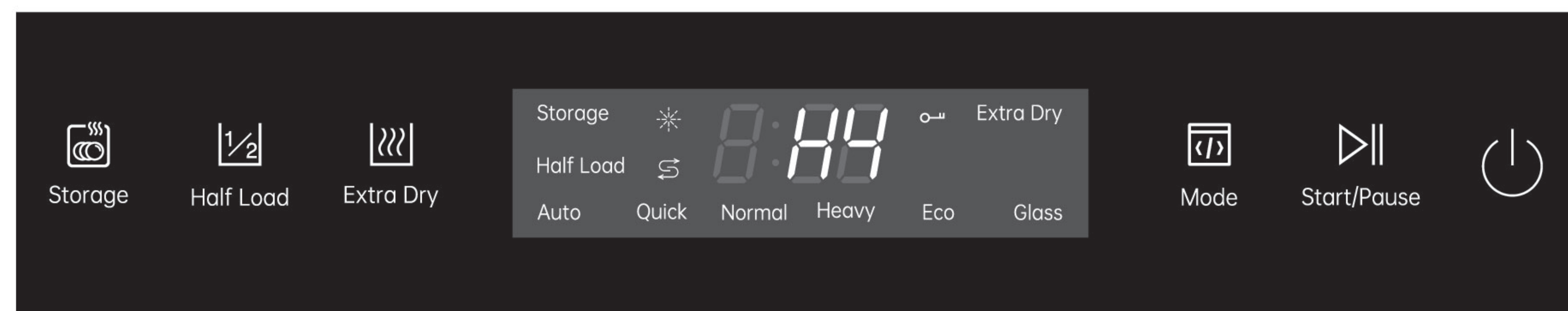


Function description			
 Glass	Glass program is specialized for fine tableware and glassware	 Quick	Super quick washing program for slightly stained tableware
 Normal	72°C high temperature powerful fast cleaning.	 Heavy	75°C high temperature powerful cleaning, non-fragile tableware and cutlery to remove stubborn stains.
 ECO	Low energy consumption and slow washing aims for water saving and electricity saving.	 Auto	Automatically sense the dirty degree of tableware to achieve the ideal cleaning effect.
 Storage	After cleaning, keep the tableware clean and dry for a period of time.	 Extra Dry	Extending the drying time can achieve better drying effect.
 Half Load	Applicable for cleaning a small number of tableware to save time, electricity and water.	 Mode	Multiple washing cycles to choose before start of operation.
 Rinse Aid	When this light is on, it is necessary to add rinse aid.	 Dishwasher Salt	When this light is on, it is necessary to add special softener salt for the dishwasher.
 Start/Pause	Control the Start or Pause of the dishwasher.	 On/Off	Control the power On or Off of the dishwasher.

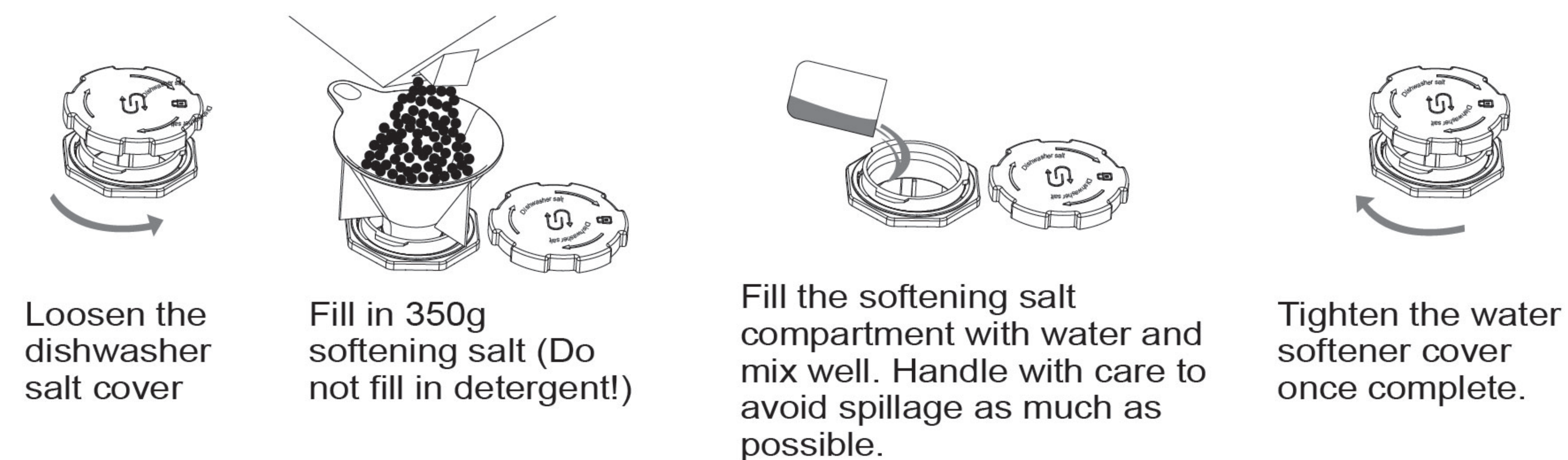
IV. Operation Instructions

Initial Settings

- Set the softening system
 1. When the dishwasher is turned On and still in the Off state, press and hold the Start/Pause button for 5 seconds, and the display screen will show the preset value;
 2. Continue to press the Start/Pause button, the set value will increase by one level, jump to H7, and then jump back to H0 (the larger the number, the stronger the softening ability, the higher the hardness of water, the faster the salt consumption);
 3. Long press the Power On/Off button to turn off or do not operation for 5 seconds, the dishwasher will store the current set value.



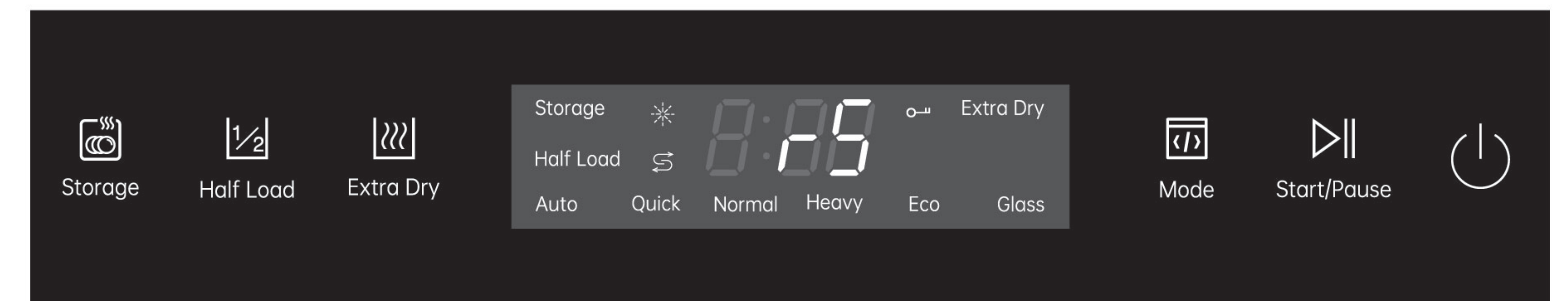
Add dishwasher's softening salt



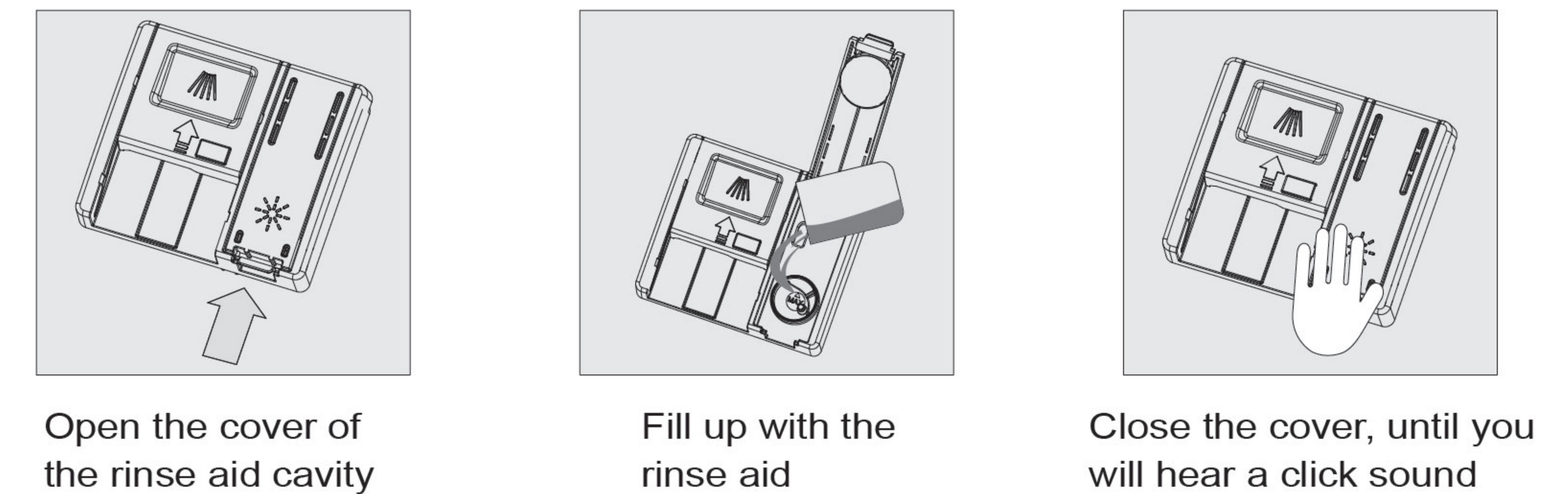
Note : 1. After adding softener salt, it is recommended to run the Quick mode, to prevent saltwater overflow from corroding the liner.
 2. It will take some time to dissolve the dishwasher softener salt in water. After adding the softener salt, the lack of salt S indicator light will not go off immediately, which will not affect the normal operation of the dishwasher.
 3. It is necessary to pour water into the softener salt compartment only when the softener salt is added for the first time.

- Set the amount of rinsing agents.
 1. When the dishwasher is powered On and still in the Off state, long press the Storage button for 5 seconds, and the screen will display the preset values;

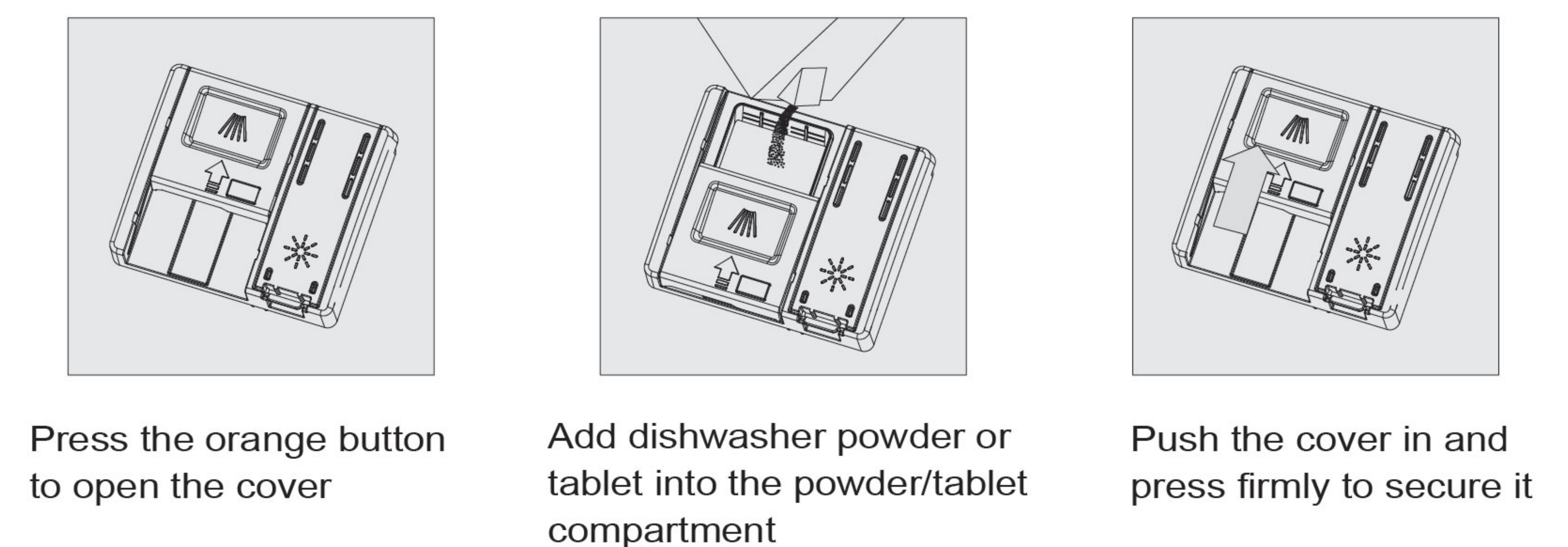
2. Long press the Storage button, and the set value will increase by one level, jump to $\text{r}6$ and then jump back to $\text{r}0$ (the larger the number is, the higher the dosage of rinse aid, the faster the consumption, the more conducive to drying.);
3. Long press the Power On/Off button to turn off or do not operation for 5 seconds, the dishwasher will store the current set value.



For dispensing the rinse aid and dishwasher powder. Refer to the actual product for the dispenser type.

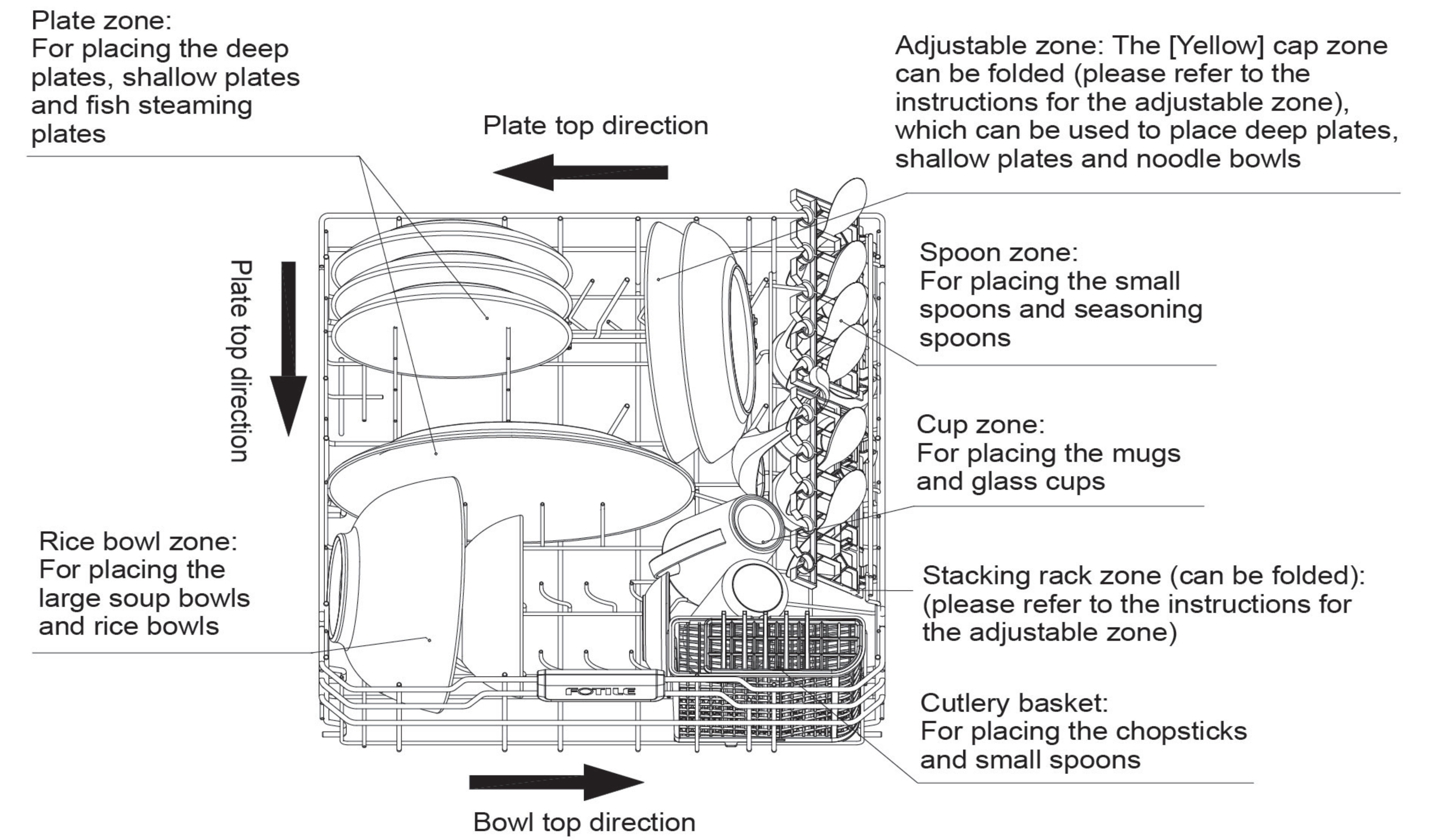
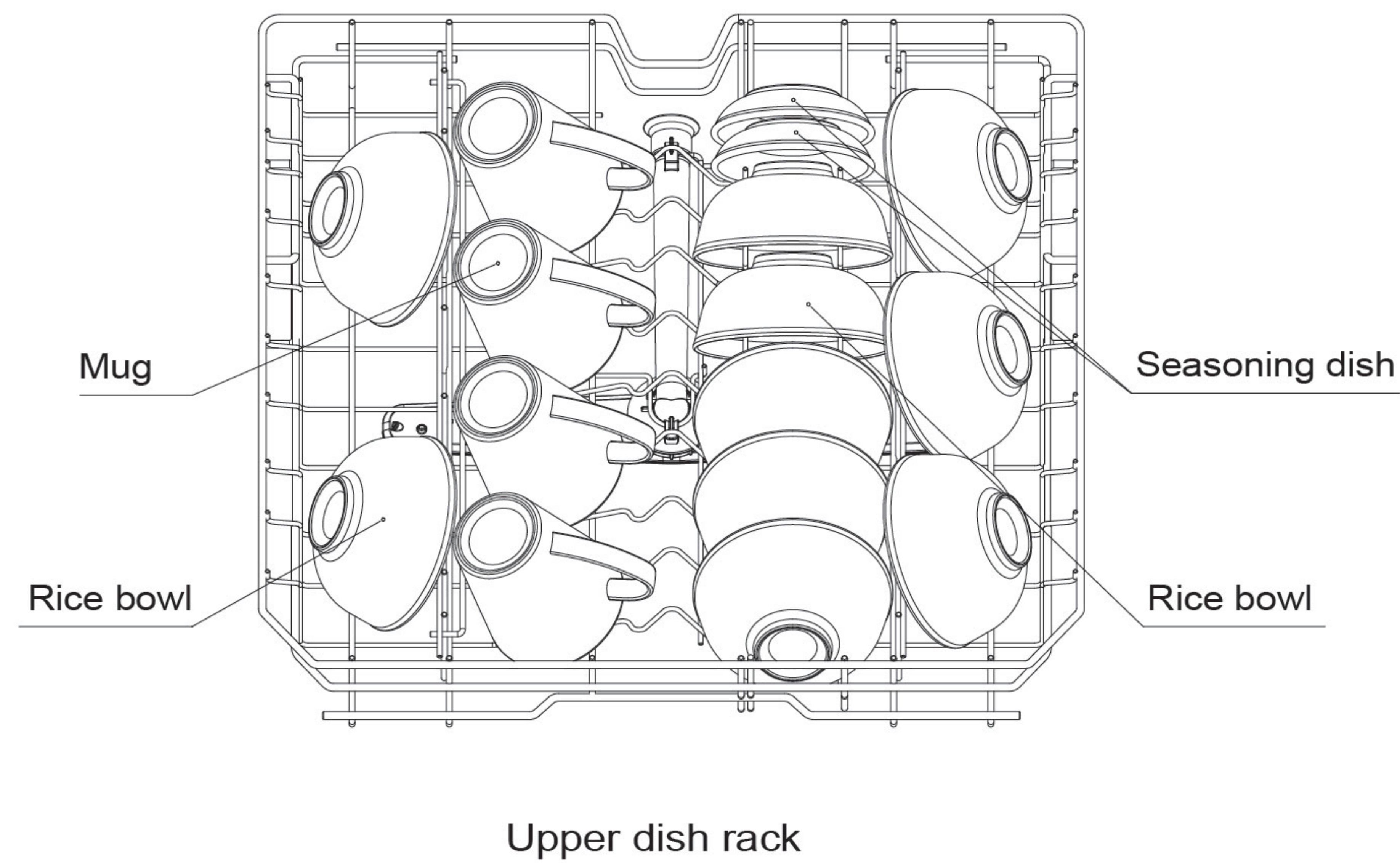


Notes: If there is any overflow after adding the rinse aid, run a Quick cycle.



■ Illustration of dish rack arrangement

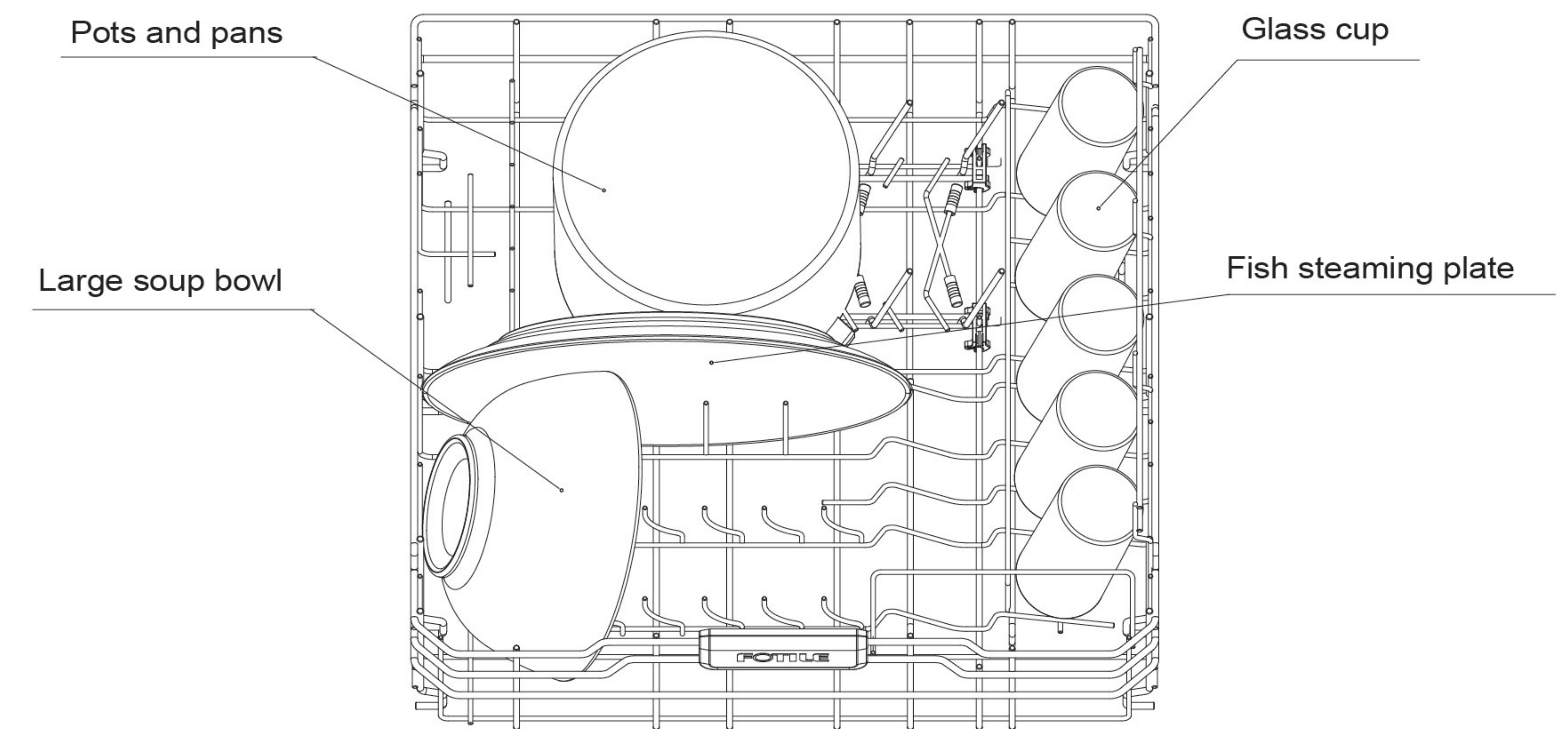
● Daily tableware arrangement



Instructions and Precautions for Arrangement:

1. Before washing, please remove the large residues in tablewares;
2. Do not place the tableware upward, which will affect the normal operation of the whole machine;
3. For heavily-greased tableware, it is recommended to place them on the lower dish rack as it may effectively improve the cleaning effect;
4. Avoid stacking the tableware together, so as not to affect the cleaning effect; and if there is little tableware, keep the appropriate spacing between tableware to achieve better cleaning effect;
5. Make sure that the spoons, chopsticks and other tableware will not affect the rotation of the upper and lower spray arms;
6. Pay attention to the direction of them, to achieve better washing effect.

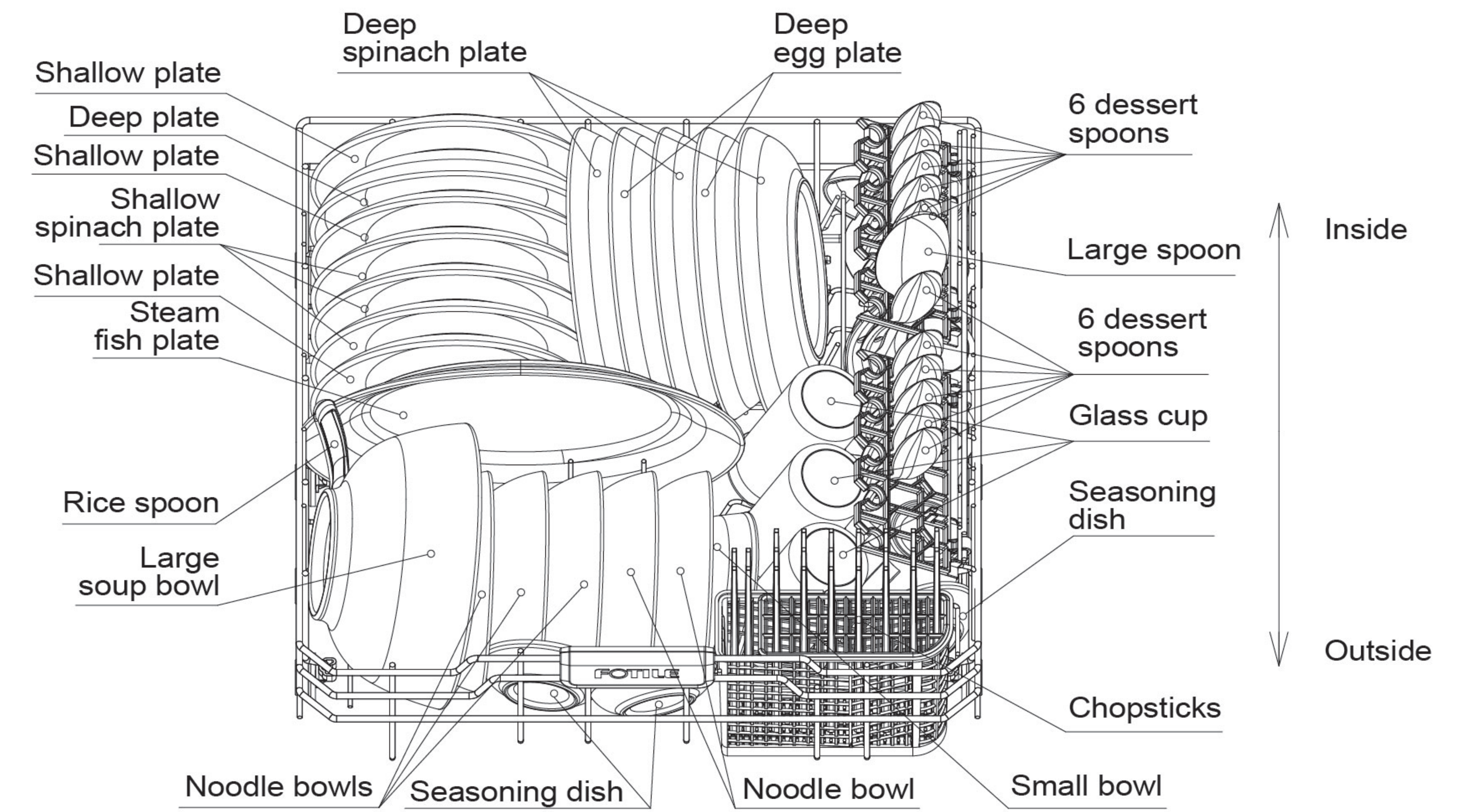
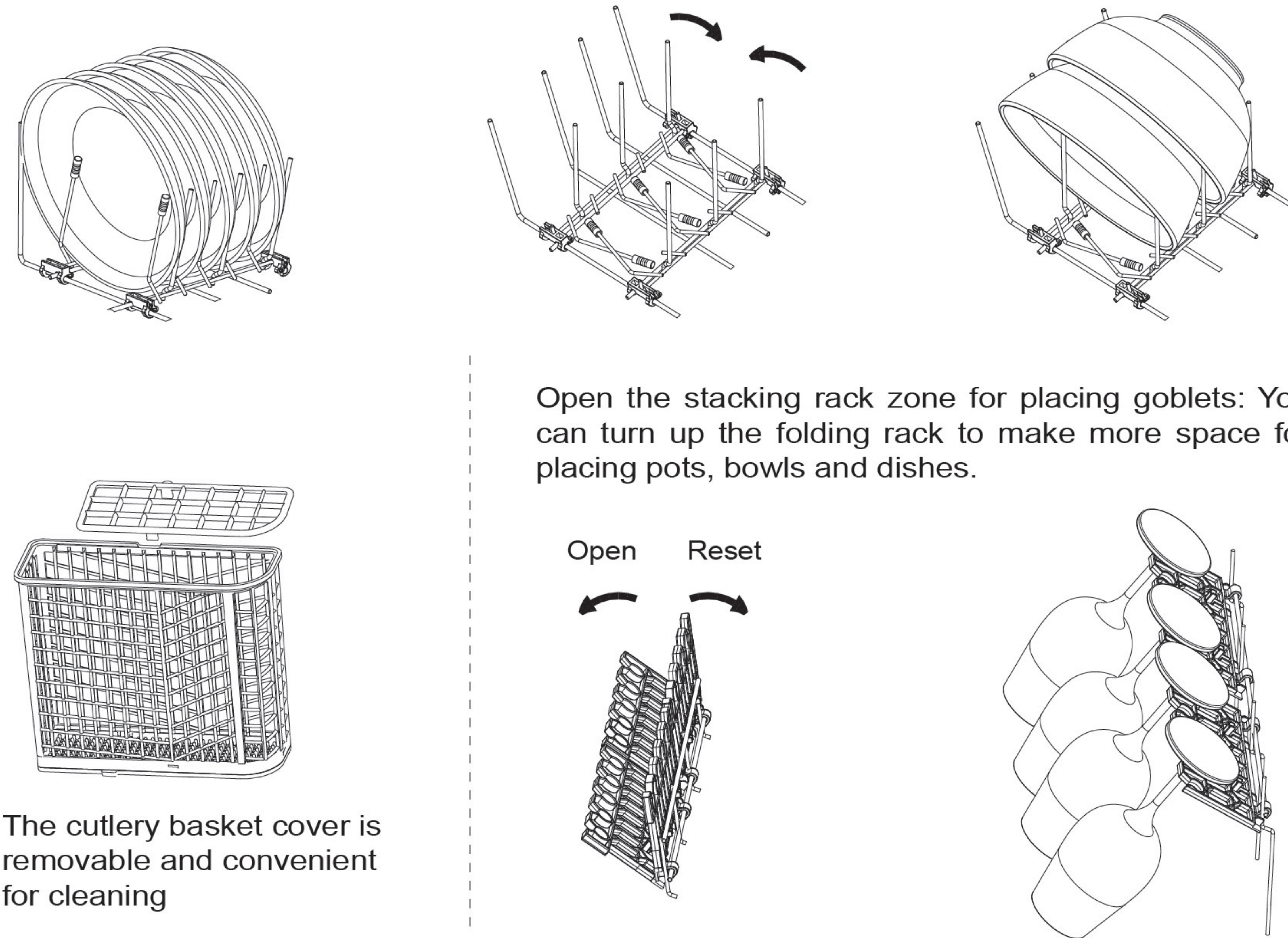
Pots, large soup bowls, glass cups and fish steaming plates are placed as shown in the picture



Lower dish rack

● Instructions for Adjustable Zone

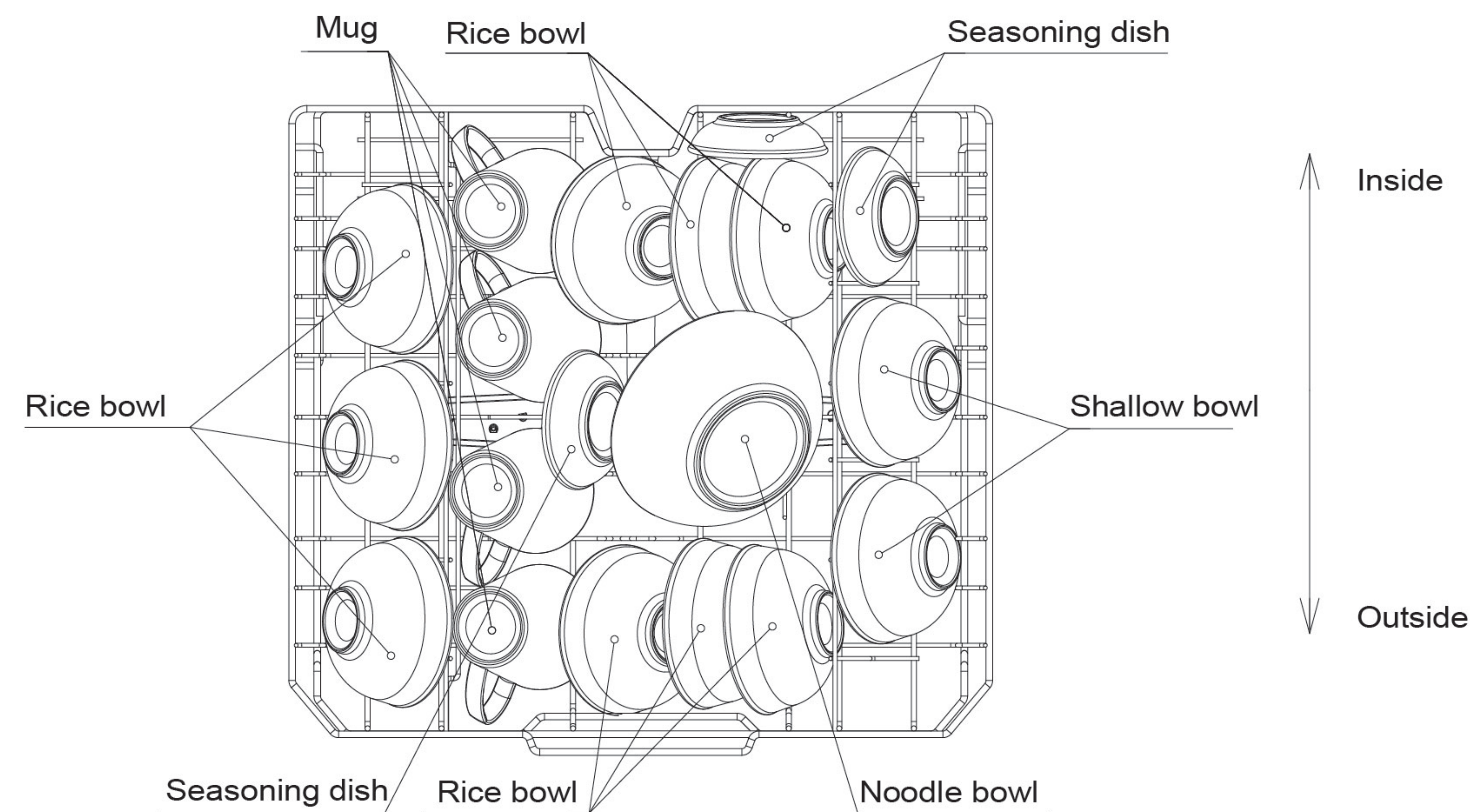
The yellow cap area can be folded down to place bigger bowls



Arrangement on Lower Dish Rack

Arrangement from Inner to Outer: 1 mug. 3 glass cups. 1 mug.



● Placement of Test Tableware

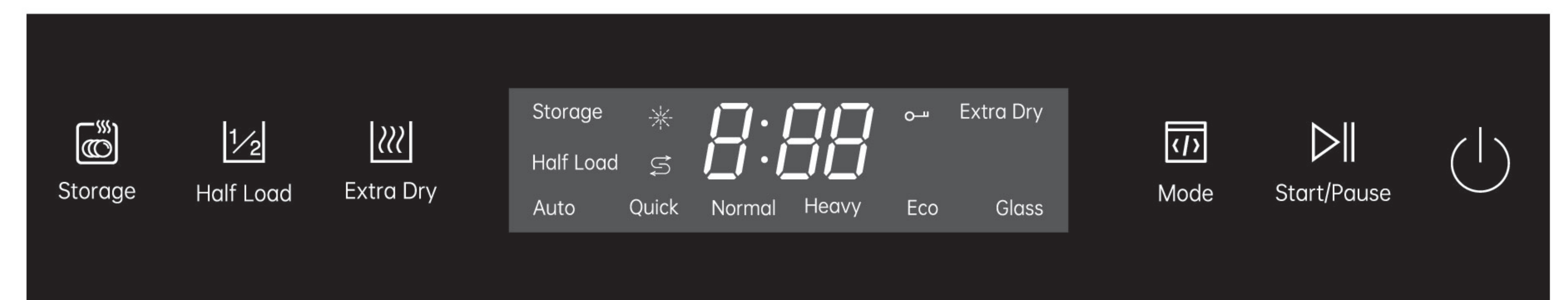


Arrangement on Upper Dish Rack

V. Introduction to Wash Cycle Operation

■ Description of Operating Procedures





1. Close the door of the dishwasher. Press and hold the On/Off button , to kick-start the dishwasher;
2. Click the Mode button , to switch between the main cleaning programs;
3. If necessary, click the corresponding additional function button to select an additional cycle (e.g., Extra Dry);
4. Click on the Start/Pause button to start running the cleaning program.




Notes: 1. If it is necessary to add tableware in the process of cleaning, click the Start/Pause button, then open the door. The machine will stop automatically to avoid hot water splashing. After the placement is completed, click the Start/Pause button again to run the dishwasher.

2. If you want to switch to another wash cycle after the cleaning has commenced, press and hold the Power button to turn off the dishwasher; and then restart it, and choose a different cycle.

3. After the cleaning has started, it is not recommended to switch to another wash cycle because the detergent has already been consumed. You will have to add detergent again if switching to another wash cycle.

1. The additional cycle cannot be operated with the Half Load mode at the same time;
2. Quick , Auto  and ECO,  cannot be paired with Half Load mode;
3. ECO  can only be paired with Storage mode only.

Storage  : The Storage function can operate only after cleaning, and the function lasts for 96 hours; after the end of the cycle, it will automatically enter the 72-hour low-frequency ventilation function, and the "Storage" indicator light on the process display screen is always on. If you want to close the Storage function in advance, press and hold the On/Off button for cancellation; and if you do not use the dishwasher for a long time, transfer the tablewares to the dry cupboard.

Manual drain function: Press and hold the On/Off button to kick-start the dishwasher. Then, within 5 seconds, press and hold the On/Off button to shut down the dishwasher so that the drainage pump can be turned on to drain out water.

■ Performance indicators of various programs

Program	Applicable tableware	Time consumption	Recommended dosage of detergent	Water consumption	Maximum wash temperature
Quick	Breakfast dishes, preparation dishes, and other slightly stained tableware	30 minutes	4+15g	9L	70°C
Normal	Moderately stained tableware	80 minutes	4+20g	12L	72°C
Heavy	Heavily stained tableware	120 minutes	4+24g	15L	75°C
Glass	Thin wine glass, goblet, and other delicate vessels	75 minutes	4+15g	12L	60°C
Auto	The wash cycle can be adjusted according to the dirtiness level of tableware	112-141 minutes	4+24g	15L	75°C
ECO	Water-saving and power-saving mode for fairly stained tableware	250 minutes	30g	8.6L	49°C

Notes: 1. The above the data of the standard cycles. After any additional cycle is configured, the cleaning data will vary depending on the cycle chosen.

2. The actual wash time, water consumption, and wash temperature will vary slightly from the water temperature, water pressure, and room temperature in different regions, as well as the type and quantity of tableware for washing.

3. The countdown to 00 indicates that the wash cycle is finished, and you can open the dishwasher door to take out the tableware. If the dishwasher is not opened in time, the display of "00" will automatically go out after a period of time, during which the drying cycle will keep running.

4. Instruction for dosage of detergent 4+Xg: Add 4g detergent in the pre-wash tank and Xg detergent in the main washing tank; and both in the main washing tank for the ECO cycle.

5. The energy efficiency and water efficiency limit values and the grade test standard of the dishwasher are based on GB38383, and the test cycle is the ECO cycle. Do not add the rinse aid in the automatic dispenser during the test., manually add 6mL of rinse aid when the display shows 1: 14, and the cycle will end when the display on the screen goes out after cleaning.

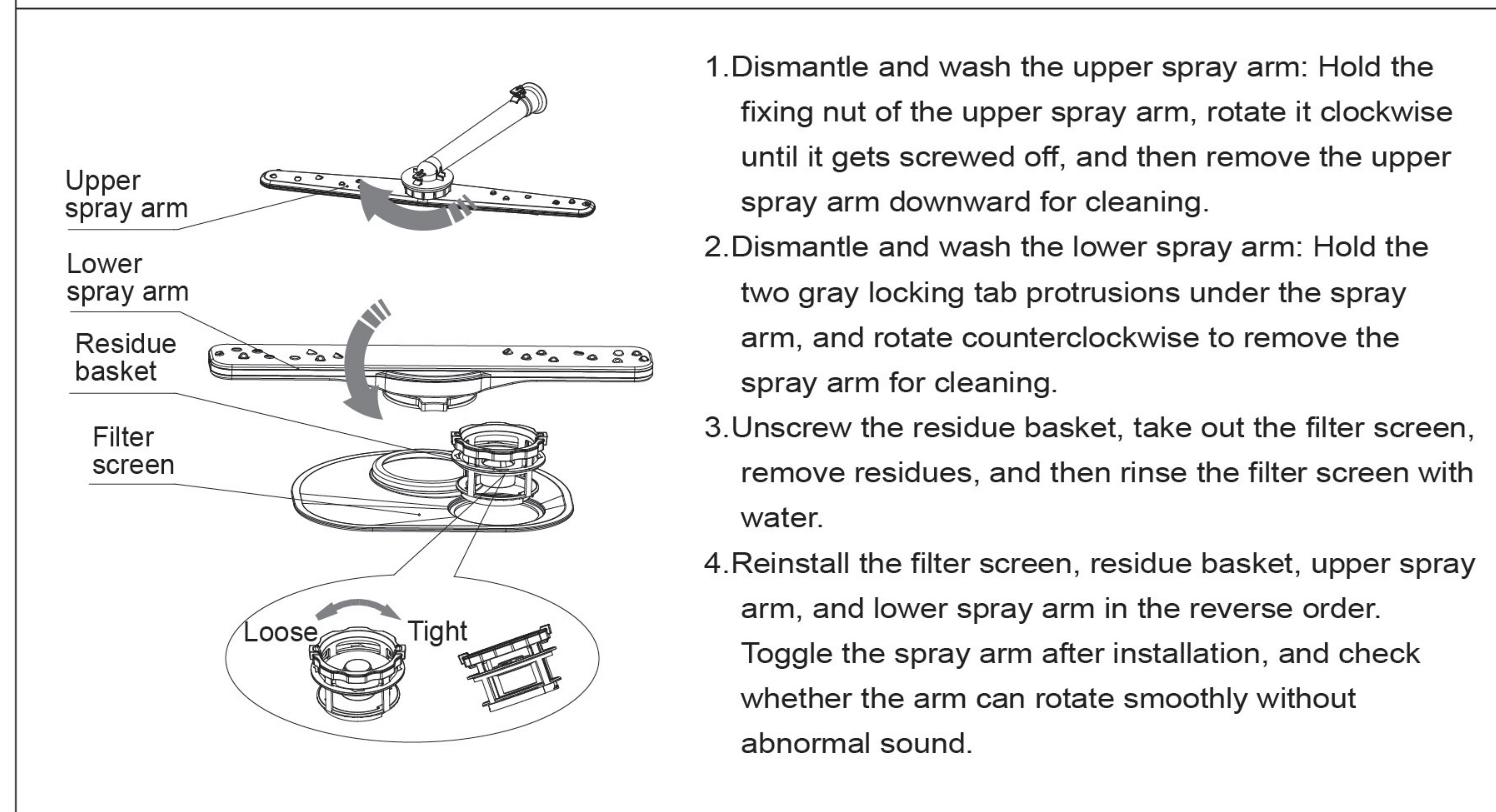
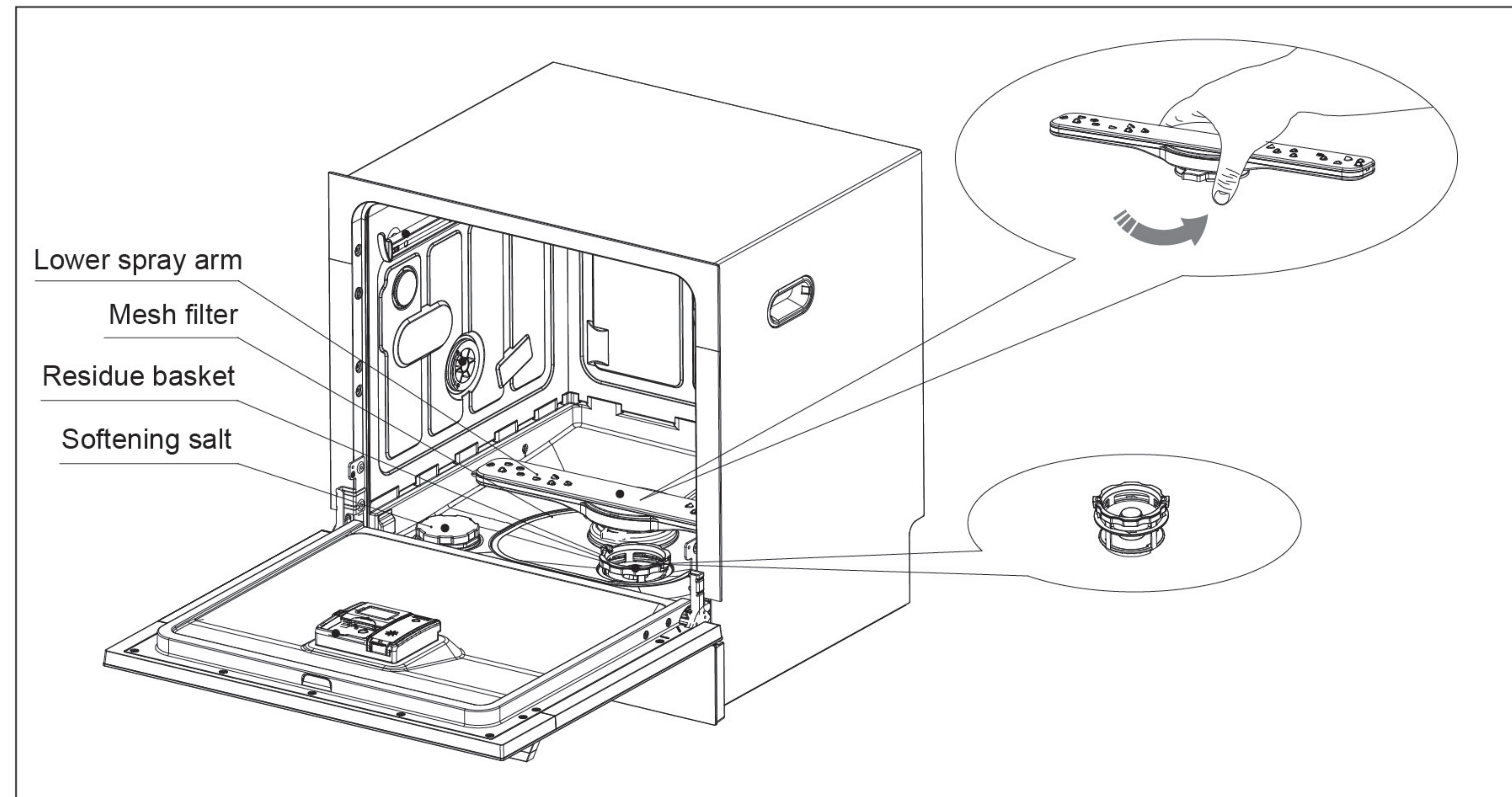
6. The filter selected for this product is a manual filter, and the filter system shall be cleaned between the test cycles.

7. The above data were measured in the FOTILE Laboratory.

VI. Cleaning, Maintenance and Servicing

■ Daily Cleaning

1. Open the door and clean the residual dirt on the door.
2. Clean the walls and wall corners in the chamber, with appropriate detergent.
3. Loosen the residue basket counterclockwise, dump the residues, and clean the basket.
4. Loosen the spray arms and clean them.
5. Take off the mesh filter and clean it.
6. Clean the bottom of the chamber.
7. Install all parts in their original positions after cleaning, and check if they are installed to place.



■ Recommendations on Servicing of Dishwasher

1. Clean the panel and door glass manually with hot water and a small amount of detergent. Wipe them with a sponge cloth and dry them with a soft cloth after cleaning. Do not rub them with a scouring pad or metal wire articles to avoid scratching the surface.
2. Apply a layer of oil to the liner for protection if the dishwasher is not used for an extended period.
3. Use neutral detergent to clean the liner and inner door, and clean both of them thoroughly with clean water. Clean them gently, do not use the steel brush or rough brush, and dry them with a sponge or cloth after cleaning.
4. Do not place lemons, sauces, pickles, mustard, or other salty or corrosive food on the inner parts such as the liner and inner door for a long time to prevent corrosion.
5. Try to avoid prolonged contact of the liner and inner door with powerful bleaching powder, household chemicals, and soap.
6. Try to prevent sharp and hard articles such as knives, forks, and cookware from hitting the liner and the inner door. Push the dish rack into the cavity till it is in place, to avoid scratching, scuffing, or denting the surface.
7. Do not put low-carbon steel or cast-iron cookware in the liner for a long time, and do not leave stainless steel scrubber, rubber cleaning sheets, wet cleaning sponges, or other cleaning pads in the liner to avoid "floating rust" or "mildew spots" over time.
8. If any surface rust or mildew spots are found on the liner, apply toothpaste to the rust and spots, and then clean them with a rag. But do not clean the liner with steel wool, polishing sheets, or polishing materials.
9. When scale forms in the liner due to lack of softener salt, promptly add softener salt and put a dishwasher tablet or a small amount of sodium citrate in the dishwasher liner. Run any complete cycle and then run the Quick Cycle.

VII. Troubleshooting

Common fault

If you find anything unusual condition during use, please stop using the dishwasher, cut off the power supply, and check the following items:



Fault description	Possible cause	Troubleshooting method
Abnormal sound	Any spray arm is not installed in place or collides with other objects.	Disassemble, assemble, and check the spray arm. Manually rotate the spray arm to ensure that it can revolve without any interference.
	The tableware is not arranged as specified, resulting in tableware collisions.	Check whether the tableware arrangement meets the requirements.
The display is not lit, and the buttons are unresponsive	The power is not connected.	Check whether the power plug is properly plugged in.
White scale is found on the liner.	The softener salt is insufficient or the softening system is set too low.	Clean with dishwasher tablets or sodium citrate, and timely add salt or set a higher softening level.


If the dishwasher still cannot work normally after the above troubleshooting, please contact FOTILE service hotline.

Fault code and solutions

Displayed code	Displayed fault	Possible cause	Solution
E2	Small water flow	1.The water valve in the customer's home is not open. 2.The water flow in the customer's home is too small. 3.The inlet valve is broken and not opened. 4.The filter screen at the inlet valve is blocked. 5.The parts relating to water inflow are damaged.	1.Check the water valve to make sure it is open. 2.Check if the water supply is interrupted or the water pressure is too low. 3.Request a repair personnel to come to the home for repair.
E3	Poor drainage	1.There are excessive residues in the residue basket and the drain hole is blocked. 2.The sewer hose is blocked.	1.Clean the residue basket and sewer hose. 2.Request a repair personnel to come to the home for repair.
E5	Short-circuit or open-circuit of the temperature sensor	The temperature sensor is in abnormal condition.	Request a repair personnel to come to the home for repair.


Displayed code	Displayed fault	Possible cause	Solution
E8	Dry burn protection	1.Poor sealing of the drain valve results in water leakage. 2.Poor sealing of the door results in water overflow.	1.Close the door and make sure the door is closed tightly. 2.Check if the tableware is properly arranged Ensure that no tableware is placed with the top facing upward. 3.Request a repair personnel to come to the home for repair.
E0	Fault of motor communication	The motor is faulty.	Request a repair personnel to come to the home for repair.
EC	Abnormal communication	The communication line is disconnected.	Request a repair personnel to come to the home for repair.
F1	Alarm for water leakage	Water leakage protection.	1.Timely close the water valve and power supply. 2.Request a repair personnel to come to the home for repair.
F3	Alarm for water overflow	The inlet valve is damaged.	1.Timely close the water valve and power supply. 2.Request a repair personnel to come to the home for repair.
F4	High-temperature alarm	Water temperature is above 85°C.	Request a repair personnel to come to the home for repair.
F5	Motor overvoltage and undervoltage	Voltage is too high or too low.	Request a repair personnel to come to the home for repair.
F6	Motor phase loss	There is a short circuit or open circuit in the coil.	Request a repair personnel to come to the home for repair.
F7	Overcurrent of motor software Overcurrent of motor hardware and motor stalling	Motor current is excessive.	Request a repair personnel to come to the home for repair.

Displayed code	Displayed fault	Possible cause	Solution
Low Salt indicator light ON 	Low salt prompt	Lack of softener salt.	1.Add softener salt according to the operating instructions. 2.Request a repair personnel to come to the home for repair.
Low Rinse Aid indicator light ON 	Lack of rinse aid	1.Lack of rinse aid 2.The dispenser is damaged.	1.Add rinse aid according to the operating instructions. 2.Request a repair personnel to come to the home for repair.

 Warning: If the dishwasher still cannot work normally after the above simple troubleshooting, please contact us by calling FOTILE service hotline. In order to ensure safety and correct use, this product must be repaired by professionals appointed by the Company. If the product cannot be used in a good condition because the consumer entrusts personnel who are not appointed by the Company to carry out repair or the consumer carries out repair, it is not covered under the free repair service even within the warranty period, and the Company assumes no responsibility for any property loss or personal injury caused thereof.

VIII. Customer Services

If any abnormal condition occurs, please stop using the product, pull out the power plug, and call FOTILE service hotline.

 Warning: Only the repair personnel of the Company who have been trained professionally and obtained the repair qualification in the dishwasher can repair the dishwasher. Any other person is not allowed to repair the dishwasher without permission, to avoid causing serious consequences.