

2026 EDITION
VOL. 1

FOTILE

KITCHEN APPLIANCES

COOK MORE, LOVE MORE

With FOTILE, cooking is a lot easier and happier,
the more you cook the more you love



product
design
award



red dot
design award

RANGE HOOD • HOB • OVEN • MICROWAVE OVEN • STEAM OVEN •
COMBI OVEN • DISHWASHER • WATER PURIFIER

FOTILE X

Redefine Your Kitchen

CLOSER EXTRACTION FROM COOKING SMOKE



CLOSER EXTRACTION

Only **325mm** from the stove - almost half the distance of a traditional range hood, the FOTILE X-Series captures cooking smoke straight at the source.



WIDE SUCTION PLATE

Its **900mm-wide** suction plate intercepts cooking smoke and extracts it before it spreads.

STRONGER BRUSHLESS DIRECT-CURRENT INVERTER (BLDC)

MORE POWERFUL, BETTER EFFICIENCY

The BLDC motor uses Microchip Technology along with field-oriented (FOC) algorithm boosts maximum static pressure up to **1480Pa** with an unrestrained airflow of **2800m³/h** to remove cooking smoke while keeping noise level as low as **39dB**.

SMART SYNC

Upon gas hob ignition, range hood automatically turns on to remove cooking smoke.

Needs to be paired with FOTILE's Gas Hob that has sync feature.



FASTER COOKING SMOKE HIGHWAY

REAR EXTRACTION DESIGN

The rear extraction design allows the extraction motor to rotate 180°, actively reducing the distance of cooking smoke and extracting it in a straight path.

PATENTED NAUTILUS AIR PASSAGEWAY

Reduces wind resistance and noise. With the 3-point Extraction System, cooking smoke is collected, extracted and removed in a single uninterrupted path. **Patent No. 01132056.7**

SMARTER AIR DISTRIBUTION

INTELLIGENT AIR DISTRIBUTION

With a touch of a button, the FOTILE X-Series can **focus its extraction power** to either side of the hood.



STRONGER EXTRACTION POWER

Divert extraction power up to **70%** on either side of the hood.



HIGHER AIR PRESSURE

Increase air pressure for another **50%** on either side of the hood.

SMART SMOTION

(Smoke + Motion) Detection

Turn the hood on and off with the **wave of a hand**.

EASY TO CLEAN

All-new filter-free design with glass frame, just wipe to restore it to its original lustre.

LOW NOISE LEVEL

BLDC motor with multiple noise-reduction technologies. Noise level produced is as low as **39dB**.

Where Eastern Innovation Meets Western Elegance
Powerful Suction | Turbo Vent | Sleek Design

FOTILE *Z*



DOUBLE POWER SYSTEM

AUTO TURBO SYSTEM

Increase extraction power automatically when resistance is detected.

BRUSHLESS DIRECT-CURRENT INVERTER (BLDC)

Doubling extraction power by achieving an unrestrained airflow of **2,450m³/h**, keeping noise level as low as **40dB**.

INTELLIGENT SUCTION & EXTRACTION SYSTEM

DELAY OFF TIMER

Hood will run for **2 minutes** to extract the remaining cooking smoke in your kitchen.

SMART SMOTION (SMOKE + MOTION) DETECTION

Turn the hood on and off with the **wave of hand**.

INTELLIGENT AIR MANAGEMENT

Ventilates harmful gases in the kitchen automatically to keep the kitchen air fresh.

Air Condition	Good	Poor	Severe
Fan Speed	 Off	 Medium	 Strong

SPACIOUS ENTRY CAVITY



OPTIMAL COOKING SMOKE CONTROL ZONE

Only **560mm** from the stove. Fully trap cooking smoke before it starts to spread.



WIDER CHAMBER ENTRANCE

900mm wide chamber and a **415mm depth distance** buffer plate contain the spread of your cooking smoke in a confined area.

HIGHWAY FOR COOKING SMOKE



DIRECT-FLOW SYSTEM

Leads cooking smoke from chamber entrance to exhaust in one straight line with zero to minimal obstruction.



3-STAGE VERTICAL ACCELERATION

Let cooking smoke travels easily through smoke chamber.

SMART SYNC



Upon gas hob ignition, range hood automatically turns on to remove cooking smoke.

Needs to be paired with FOTILE's Gas Hob that has sync feature.



NVH TECHNOLOGY

Uses BLDC motor, vibration dampers, sound-absorbing cotton, a bionic wing impeller, and other specialized components—to reduce noise, vibration, and harshness, achieving a quiet noise level of **40dB**.

ELEGANT DESIGN

325mm ultra-slim hood design with elegant black tempered glass perfectly matches any cabinet.

EASY TO CLEAN

Dual removeable grille filter for easy attachment and detachment when necessary.

Skylight Range Hood EMG9070-G

Skylight Above, Clear Air Beneath

35" SKYLIGHT SUCTION PLATE



WIDERR LIGHT, BETTER VISIBILITY

Equipped with **685 x 273mm** Skylight Suction Plate. Featuring a **7-layer** material structure for superior light performance, durability, and easy cleaning. The 5000K neutral light creates a bright, uniform, shadow-free illumination that is comfortable on the eyes.

The 35-inch design increases smoke capture area by **38.5%** and boosts smoke intake speed by **50%**.

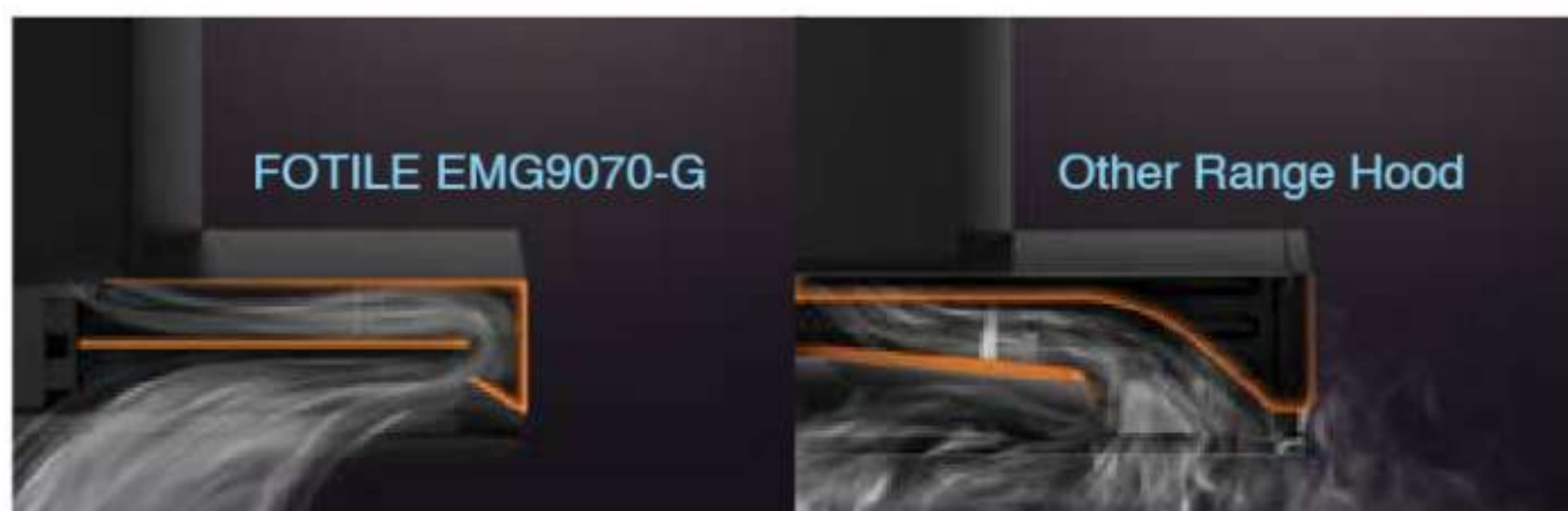
STRONGER BRUSHLESS DIRECT-CURRENT INVERTER (BLDC)

MORE POWERFUL, BETTER EFFICIENCY

The Brushless Direct Current (BLDC) motor has a maximum static pressure of **1320 Pa** that handles long and winding air ducts and complicated installation spaces with ease. Its maximum unrestrained air flow of **2600m³/h** refreshes all the air in a kitchen, while keeping the noise level as low as **40dB**.

AUTO TURBO SYSTEM

Intelligent Airflow Algorithm 5.0 auto adjusts the motor speed and air pressure to ensure effective smoke extraction and prevent backflow.



HIDDEN SMOKE CONTROL DESIGN

Hidden Smoke Control Design directs fumes into the suction path for more efficient extraction.

ERGONOMIC DESIGN

COMPACT FORM, GREATER COMFORT

Skylight Range Hood features a slim **470 mm** depth, giving you more room to move freely while cooking, prevents accidental head bumps.

SMART FRESH SYSTEM

Monitors kitchen air 24 hours a day, automatically detecting cooking odors, food waste smells, formaldehyde, gas leaks, and other harmful gases, fast air refresh in just **60 seconds**.

SMART SMOTION

(Smoke + Motion) Detection

Turn the hood on and off with the **wave of a hand**.

SMART SYNC

Upon gas hob ignition, range hood automatically turns on to remove cooking smoke.

Needs to be paired with FOTILE's Gas Hob that has sync feature.

EASY TO CLEAN

New filter-free structures and glass bodies can be cleaned easily with just wiping.

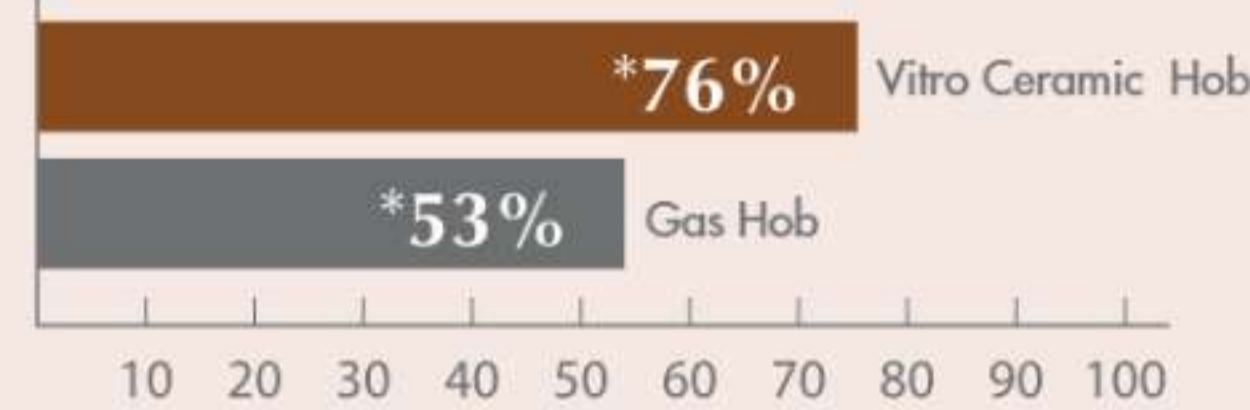
The Most Powerful In Its Class

VITRO CERAMIC HOB



MAXIMUM EFFICIENCY

Lower energy consumption and less heat loss for shorter cooking time and maximum efficiency. The hob is able to reach 598°C in just 4 minutes. Energy consumption from as low as RM0.22kWh**



* FOTILE National Standard Lab Testing Result

**Based on current TNB tariff rate for residential usage & depending on individual household electricity consumption.

GERMAN QUALITY



SCHOTT CERAN GLASS & E.G.O. HEATING COIL
German-made SCHOTT CERAN glass and E.G.O heating coil.

TOP-NOTCH SAFETY



Digital timer, child lock, overheating protection, safety off switch and high heat indicator.

INDUCTION HOB

For A Faster and Safer Cooking Experience



REMOVABLE MAGNETIC KNOB

Operate with just a twist of knob.
Lift the knob to pause the hob.

TOP-NOTCH SAFETY



DIGITAL TIMER
Timer up to 99 mins.



STANDBY MODE
Lift the knob to pause the hob.



CHILD LOCK
Lock all buttons in the operational area.



SAFETY SWITCH OFF
Automatically switch off the hob if left idle for 2 hours.



HIGH HEAT INDICATOR
When surface temperature more than 55°C.



OVERHEATING PROTECTION
Shut down if pot dries up and temperature goes above 250°C.



POT DETECTION
After burner heats up and no pans are in its place, it will shut down the appliances after 1 minute.



OVERHEATING PREVENTION
Lower power level to 300W for 1 minute if temperature reach 120°C within 30 sec.



3 CORE TECHNOLOGIES

4x MAGNETIC PROTECTION
More Efficient and Worry-free Cooking Experience

LARGE HEATING ZONE
For Even Heating. Copper Coil Boost Efficiency

DUAL-CORE CPU
Precise and Faster Execution



EPS-i SERIES GAS HOB

Smart SYNC, Smart Flame



SMART SYNC

FLAMES IN, SMOKE OUT

Sync gas hob with range hood. Upon gas hob ignition, range hood automatically turns on to remove cooking smoke.

Hood-hob sync needs to be paired with FOTILE's range hood that has sync feature. Available in hob model GEG88201.



SMART FLAME

7+N ADJUSTABLE FLAME LEVELS

Easy to identify flame levels from keeping food warm or stir-fry cooking.

5.35KW HIGH FLAME POWER

From lowest **0.28kW** to **5.35kW** high flame power. More than 60% heating efficiency for optimum level of flame for fast cooking with low gas consumption.



SMART TIMER

ACCURACY GUARANTEED

180-min timer. Constant monitoring is no longer needed. It automatically turn off the fire at desired time, eliminating the chaos in the cooking process.

Available in hob model GEG88201.

NEW



EFFICIENT HEATING

REDUCE TIME CONSUMPTION BY **13.5%**

SAVE GAS CONSUMPTION BY **15%**

According to lab test result on boiling 1kg of water to 95°C by comparing EPS-i burner to other burners.

ADJUSTABLE CUT-OUT SIZE

EASY INSTALLATION

With a customizable range of 700-840 (w) x 400-480mm (d), changing your hob is much easier.

SAFETY WITH FULL PROTECTION

Auto cut-off gas for continuous cooking up to **4 hours**. *Available in hob model GEG88201.* 4-layer explosion proof panel and **12 safety features** to safeguard you and your family.

INSTANT IGNITION

FOTILE EPS-i is built for instant ignition, giving you roaring flames the moment you demand it.

FROM STEWING TO STIR-FRYING, THE EPS-I BURNER CAN DO IT



Stewing



Simmering



Boiling



Stir-Frying



Deep-Frying

0.28kW

5.35kW

More Than High Flame Power

SUPERFLAME SERIES GAS HOB



POWERFUL HEAT

5.0kW heating load, 60% heating efficiency. Powerful and fast cooking.

SAFE COOKING EXPERIENCE

12 safety features for a safer cooking experience.

STABLE PAN SUPPORT

Stable flames. Stable pan support to hold the wok.

DURABLE AGAINST RUST

High-Quality Aluminium Alloy burner, long lasting and durable against rust.

FAST IGNITION

0-second ignition with fast ignition feature.

SAVE GAS CONSUMPTION

60% heating efficiency, saves 20% on gas consumption.

SMART SYNC

Sync gas hob with range hood. Upon gas hob ignition, range hood automatically turns on to remove cooking smoke.

Hood-hob sync needs to be paired with FOTILE's range hood that has sync feature. Available in hob model GHG78221-i.

6 CORE TECHNOLOGIES



Pressure-stable pre-mixing chamber.



Oxygen augmenting fire cap.



Large flame hole.



Oxygen supplementation channel.



U5-balanced direct injection chamber.



Double-stabilized flame ring.

ADJUSTABLE CUT-OUT SIZE

Easy Installation

Say hello to FOTILE Super Flame's adjustable cut-out size. FOTILE Super Flame makes it easy for any family in home to make change.

PAN SUPPORT

Thoughtfully Stable

The FOTILE Super Flame's 165mm pan support is designed to securely hold classic Southeast Asian sharp-bottomed woks, providing enhanced stability and an extra layer of safety.

INSTANT IGNITION

Unlike typical gas hobs require you to press the ignition for a relatively long time, FOTILE Super Flame is built for instant ignition, giving you roaring flames the moment you demand it.

COMBI OVEN

One For All, All at Once

FOTILE ⁱ kitchen

FOTILE Connect App Features



Access 200+ Constantly Updated Recipes with step-by-step instructions via FOTILE Connect App.



Scheduled your cooking to come home to a hot meal, saving your time and effort.



Preview the status of your cooking remotely via FOTILE Connect App. The app will send Error Alerts to notify users of any abnormal issues, ensuring a safe and pleasant cooking experience.

STEAM-BAKE SMART COMBO

Steam and bake functions at the same time. Users can bake and steam food without being limited by sequential processes.

**This function offers to P50-52 preset menu only.*

MULTILAYER COOKING

Simultaneously steam or bake multiple food at once. Easy to prepare meals for a family gathering, special occasions, or simply when batch cooking for the week.

- 4 STEAMING FUNCTIONS - LOW, NORMAL, HIGH, MULTI-LAYER STEAM
- DYNAMIC STEAM BALANCED TECHNOLOGY
Ensure fresh steam supply and preserves the taste of your food.
- 10 BAKING MODES
- UNIFORM TEMPERATURE
- STEAM-BAKE - LOW, MEDIUM, HIGH HUMIDITY

NEW



- Steam
- Bake
- Air Fry
- Dehydrate

HZK72-H1-i

FOTILE
CONNECT



AUTO HUMIDITY TECHNOLOGY SYSTEM

Intelligently control top and back fan - **1000r/min (top fan) + 1900r/min (back fan)** to maintain the most appropriate humidity in the cavity, ensuring the best cooking effect.

AIR-FRYING

OIL-FREE COOKING

Fat removal rate up to **98%**. Dual fan high speed rotation with high temperature to remove excessive fat of your food, making your food crispier.

DIAMOND BLUE ENAMEL COATING

Improved resistance to acid and alkaline, oil resistance, durable and easy to clean.

DEHYDRATING

PREVENTS OXIDATION OF FOOD

Dual fan high speed rotation with low temperature to prevent oxidation of food.

EASY TO CLEAN

- DESCALE
Deep cleans the oven's chamber.
- HIGH TEMPERATURE STEAM CLEAN
at 100°C for 10 minutes.
- DRY VENTILATION
Drying the chamber.
- DEODOR
Cavity deodorization.

HUMANIZED DESIGN

- 3 LAYER GLASS WITH LOW-E
keep the door surface safe to touch during operation.
- 55 PRESET MENU
to cater all your cooking needs.
- 72L CAPACITY
Cook food of all shapes and sizes effortlessly.

PROOF FUNCTION & KEEP WARM FUNCTION

Ferments dough with shorter time using 'Proof' function. You can also keep your food warm and defrost using 'Keep Warm' function too.

DEFROST FUNCTION

Rapid thawing of frozen food.

A Baking Good Time For The Family



OVEN



ACCURATE TEMPERATURE CONTROL



Ensure that your food is baked evenly. Say goodbye to unstable temperatures and half-cooked meals!

70L LARGE CAPACITY



Size matters! Bake food of all shapes and sizes effortlessly with the oven's 70L capacity and 5-layer side rack.



ENVIRONMENT FRIENDLY



LOW-E GLASS

The safe-to-be-touched double Low E-glass door prevents heat loss by keeping the surface of the door below 45°C. (Applicable for oven model KSG7003AT & KSS7002A)



ENERGY SAVING

A-level energy efficiency.

BEGINNER FRIENDLY

Create a variety of delicious flavours with our Easy Tips. (Applicable for oven model KSG7003AT & KSG7007A)

OVERSIZED WINDOW

Ultra-large window provides a clear view of the baking area.

DAMPING HINGE

Allows the door to be stopped and stay balanced at any angle. (Applicable for oven model KSG7003AT & KSS7002A)

ANTI-SPILL GRILL

Enable the grill to be balanced perfectly for increased safety.

USER-FRIENDLY

3-simple steps to operate the oven.

DISHWASHER

Introducing
HydroJet Technology
THE ZERO HERO

ZERO DIRT



HIGH PRESSURE HYDROJET TECHNOLOGY

Hundreds of billions of cavitation bubbles are continuously generated in water, accelerating the speed and momentum of the water flow to remove stubborn stains effectively. Inspired by the cleaning technology of the bottom of a submarine.

Patent No. 202211216010.X & 202010288660.X



BRUSHLESS DIRECT-CURRENT INVERTER (BLDC)

Provide a maximum **40,000 Pa** strong water pressure and adjusts according to different wash settings to provide a stable and powerful wash.



ALL-CLEAN INTELLIGENT CLEANING SYSTEM

2 main spray arms + 2 supporting spray arms at the back of the chamber enhance cleaning effect by forming a 4-layer enveloping spray, alongside with 37 larger spray holes for a wider coverage to clean dishes.

ZERO ODOUR



AUTOMATED DRAINAGE SYSTEM

Water drainage is tilted for 15° and automatically closes its valve after washing to prevent backflow of sewage, keeping dishwasher odourless and clean.

Patent No. 202023337590.7



ZERO WORRY

Dual ventilation drying distributes heat evenly and effectively. Eliminates **99.99%** of harmful bacteria under high temperature of **75°C**.

Patent No. 202121479074.X

ZERO WASTE

SMART SPACE MANAGEMENT SYSTEM

It expands a partition and divide the chamber into upper and lower layer. Saves your water, time and energy consumption.

Patent No. 202010664979.8



STORAGE FUNCTION

Automatic ventilation to store your dishes after cleaning up to **96 hours**.

SILENCE+ TECHNOLOGY

Noise level of only **42dB**.

AUTO MODE

Automatically detect the dirtiness level of your dishes to run the ideal cleaning program.

INNOVATIVE DESIGN

- **AUTO-CLEAN PROGRAM**
Keeping dishwasher cavity clean and odourless.
- **6 CORE + 4 ADDITIONAL PROGRAMS**
to cater all of your needs.
- **ADJUSTABLE HEIGHT**
Adjustable height of 30mm to suit various cabinet height for a worry-free installation.

HUMANIZED DESIGN

- **PERFECT FOR FAMILY**
Fits up to 94 tablewares.
- **MEMORY CLEANING**
Panel displays the previous cleaning mode, no need to reset everytime.
- **EXTERNAL VENTILATION**
Prevent cabinet from getting moldy by releasing hot air externally.

Beyond Clean

Your All-in-One Clean, Dry, Sterilize, Store Solution!



FOTILE ⁱ kitchen

EFFORTLESS DISHWASHING CONTROL

With FOTILE Connect app, you can remotely set cleaning schedule and adjust cleaning mode anytime, anywhere. It also sends alerts for any irregularities, like reminders for running out of dishwasher salt, detergent, and rinse aid.



Smart Scheduling



Smart Monitoring with Real-time Notifications

ADDITIONAL FUNCTIONS & MODES



99 days Long-term Hygiene Storage Mode



Claypot



Mother and Baby Care Wash



Self-Clean



Sterilizing Drying



Wash, Dry and Store



Dish Warmer

FLEXIBLE RACK ARRANGEMENT

Dish racks offer dedicated spaces, accommodating larger items while providing designated areas for small utensils and specialized sections for irregular items like knives and spatulas.



LOW NOISE LEVEL
As low as 39 dB.



AUTO-CLEAN PROGRAM
Keeping dishwasher cavity clean and odourless.

AUTO MODE
Automatically detect the dirtiness level of your dishes to run the ideal cleaning program.



ALL-CLEAN INTELLIGENT CLEANING SYSTEM

High Pressure HydroJet Technology 3.0 + Orbit System Spray Arms
Effectively reaching, and cleansing the most challenging spots within your dishwasher.

TRIO VENTILATION DRYING

Dual hot air + 1 ambient air ventilation drying distributes heat evenly and effectively.

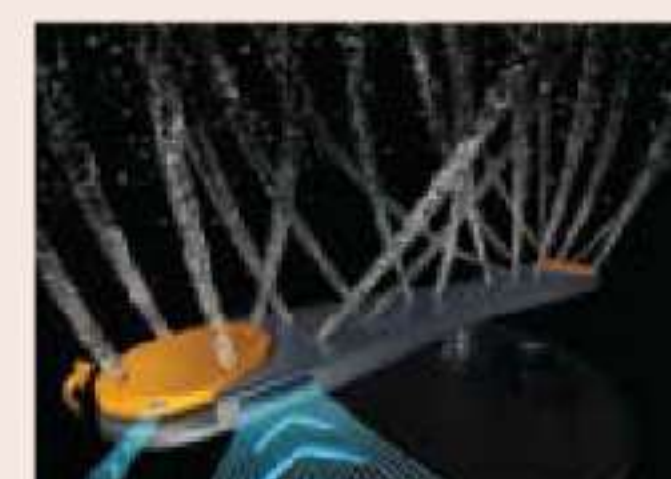
100°C STEAM STERILIZATION

Eliminates 99.9999% of harmful bacteria.

SMART DESIGN

- Knock Twice to Open
Simply give the door two quick knocks, and watch as it glides open effortlessly.
- AutoDose+, Automatic Detergent Dispensing System
The liquid and rinse aid dispenser holds sufficient detergent for 15 washes.

- Smart Projection
Display the remaining time of the washing cycle. The projection light will only begin displaying the countdown once the door is securely closed and running.



FOTILE 3-IN-1 SINK DISHWASHER

THE World's 1ST 3-In-1 Sink Dishwasher

HIGH PRESSURE HYDROJET TECHNOLOGY

Hundreds of billions of cavitation bubbles are continuously generated in water, accelerating the speed and momentum of the water flow to remove stubborn stains effectively. Inspired by the cleaning technology of the bottom of a submarine.
Patent No. 202211216010.X & 202010288660.X

BLDC BRUSHLESS DIRECT-CURRENT INVERTER

Provide a maximum 40,000 Pa strong water pressure and adjusts according to different wash settings to provide a stable and powerful wash.

ALL-CLEAN INTELLIGENT CLEANING SYSTEM

360° CLEANING WITH NO BLIND SPOTS

FOTILE's sink dishwasher rotary spray is designed create a strong water-fall-like blanket of water for a more thorough cleaning. Eliminates 99.99% of harmful bacteria under high temperature of 75°C.

AUTOMATED DRAINAGE SYSTEM

Water drainage is tilted for 1.5° and automatically closes its valve after washing to prevent backflow of sewage, keeping dishwasher odourless and clean.
Patent No. 202023337590.7



TRIPLE CONVECTION DRYING

Utilizes unique "PTC hot air + residual heat + ventilation" triple drying technology. After the washing cycle is complete, the door automatically opens, allowing hot air to blow in and accelerate drying. Internal moisture is naturally expelled, preventing it from being trapped inside the cabinet.

STORAGE FUNCTION

Automatic ventilation to store your dishes after cleaning up to 96 hours.

PURIFIER FOR FRUITS & VEGETABLE

Remove all the harmful pesticides residues using Hydrojet technology.



HUMANIZED DESIGN

EXTRA LARGE SINK SIZE

The sink's dimensions are 455mm (w) x 405mm (d) x 211mm (h) providing plenty of room for your large pots and pans.

PERFECT FOR FAMILY

Fits up to 55 tablewares.

SAVES SPACE

Works as a sink, fruit and vegetable purifier and dishwasher, 3-in-1 appliance, saves your kitchen space.

NO MORE BENDING DOWN

No more bending down to load dishes, the Sink Dishwasher is perfect for pregnant women and the elderly.

THE GRAND KITCHEN

Imagine a kitchen not only defined by sophisticated style and luxurious finishes, but equipped to deliver the cooking solution that caters to every Malaysian kitchen's need. Embrace this timeless luxury styled with FOTILE Rose Gold series kitchen appliances.



PACKAGES

RANGE HOOD JQG9055-I



- BLDC Inverter Motor
- Smart PROTON Detection
- Smart Eyes
- Auto turbo system
- Unique magnet grease filter
- Screen lock / Delay off function
- Unstrained airflow 2000m³/h
- IBC airflow 1420m³/h
- Air pressure 1050Pa
- Noise level 45dB
- Oil Filtration Rate: 98%
- Odor Reduction Rate: 98.8%

INDUCTION HOB EIG76203



- Made-in-Germany SCHOTT CERAN® glass surface
- 4x magnetic protection
- 3 safety features
- Dual core CPU
- Removable magnetic knob
- Boost & Keep Warm function
- 11 power levels
- Touch 118touch
- Heating load (kW): Total 3.4kW / L: 3.00 / R: 3.00
- To be connected directly to a min. 16A circuit breaker

OVEN K5G7003AT



- Multi-function oven with 11 functions
- 3 level shelf positions with stainless steel holder
- Removable triple glazed door with double low-E glass
- Hot air filter and 3 separate heating tubes
- Damping hinge for soft closing
- Child lock function and timer
- Illuminated "O" touch screen
- Pre-set ventilation system
- To be connected directly to a min. 15A circuit breaker
- Power: 3.2kW / Capacity: 70L

STEAM OVEN SCD42-C2T



- Dual effect steam technology: fast heating
- Illuminated "O" touch screen
- Anti condensation technology
- Dynamic steam balance system
- 1.4 liter water tank
- 2 preset programs
- Continuous steam for 120mins
- Power: 2.2kW
- Capacity: 42L

MICROWAVE OVEN HW25800P-C2T



- Flatbed microwave
- Independent ventilation system
- Illuminated "O" touch screen
- Microwave and grill heating
- Child lock function
- 3 express cooking menu
- Input power / Microwave: 1.25kW / Grill: 0.75kW
- Output power: 0.5kW
- Capacity: 22L

DISHWASHER BD2BV01



- High Pressure Hydrojet Technology - 40,000Pa
- Smart Space Management System
- Automated Drainage System
- Automatic ventilation, keep storage clean for 96 hours
- Auto clean program
- Fits 47-54 pieces of tablewares
- 8 zone + 4 additional programs
- Household water pressure: 0.14MPa - 1MPa
- Dual ventilation drying - Fan dry-up to 45mins
- Dishwasher capacity: 136L

**OPEN
HERE**

VERSATILE ELEGANCE KITCHEN

Max out every inch of your kitchen space with FOTILE Platinum Series kitchen appliances. Transform your kitchen space into something that functions as beautifully as it looks.



**RANGE HOOD
AMG9068**

**COMBI OVEN
HZK72-H1-i**

GAS HOB

**SINK DISHWASHER
SD2F-P6**

PACKAGES

RANGE HOOD AMG9068



**ECF
RM6,400
RM5,500**

- BLDC Inverter Motor
- Smart SMOGION Detection
- Smart Sync
- Smart air cleaner
- Rear motor extraction
- Screen lock
- Auto turbo system
- Delay off function
- Unconstrained airflow 2200m³/h
- IEC airflow 1600m³/h
- Air pressure 1480Pa
- Noise level 44dB
- Oil Filtration Rate: 92.9%
- Odor Reduction Rate: 92%

GAS HOB GEG88201



**ECF
RM2,690
RM2,090**

- 5Burn with 2-burner gas hob
- Powered Jet Collision Technology
- Smart sync with range hood
- Smart timer up to 180min
- 7m adjustable flame levels
- Heating level (W/L) 0.33 R: 0.33
- 2.50% heating efficiency
- Fast ignition, low battery reminder
- Safety ignition pin
- Cast iron grate with tempered glass
- Flexi cut-out size
- Removable washing up

COMBI OVEN HZK72-H1-i



**ECF
RM7,990
RM7,390**

- FOTILE Connect App applicable
- Scheduled Cooking
- Access 200+ Cloud Recipes
- Error Alerts
- Status Review
- Steam, Bake, Air Fry and Dehydrate
- 3 layer glass door with Low-E
- Steam-bake smart combo
- 17 cooking modes
- 55 preset programs
- 1200ml water tank, continuous working up to 120 mins
- Superheated Steam up to 120°C
- Fermentation, keep warm, defrost
- Multilayer cooking
- 3 support modes
- Capacity 72L

MICROWAVE OVEN HW25800K-03G



**ECF
RM2,999
RM2,399**

- Independent ventilation system
- Microwave and grill heating
- Touch control
- Child lock function
- Wide LED screen display
- 8 express cooking menu
- Input power: Microwave 1.25kW / Grill 0.85kW
- Output power: 0.55kW
- Capacity 25L

SINK DISHWASHER SD2F-P6



**ECF
RM6,599
RM5,299**

- 3-in-1 sink dishwasher
- Sink, Dishwasher, Fruits & Vegetable Purifier
- High Pressure Hydrojet Technology- 40,000Pa
- Automated Drainage System
- Storage up to 96 items
- Fits 33 pieces of tableware
- Food grade 304 stainless steel sink material
- Waterproofing capacitive touch screen
- Household water pressure: 0.14Mpa - 1Mpa
- Triple drying technology, Fan dry 30 mins
- Large sink size: 455mm (L) x 405mm (W) x 211mm (H)



KITCHEN DESIGN IDEAS

SCAN HERE FOR MORE IDEAS



ONE OVEN PLUS

One Oven To Cook It All

STEAM

4 STEAMING FUNCTIONS - LOW, NORMAL, HIGH, QUICK STEAM

Low steam of temperature as low as **30 °C** to high steam with temperature up to **120 °C**. Powerful steam generated in just **30s**. Quick steam assist in steaming frozen food without defrosting them. Preserves the taste and texture of your food.

DYNAMIC STEAM BALANCED TECHNOLOGY

Ensure fresh steam supply and preserves the taste of your food.

BAKING

5 BAKING MODES

Full Convection	Convect Bake	Top Bottom	Broil	Steam Bake
				
Top + Bottom Rear + Fan	Rear + Fan	Top + Bottom	Top	Top + Rear + Fan + Steam

DUAL TEMPERATURE CONTROL

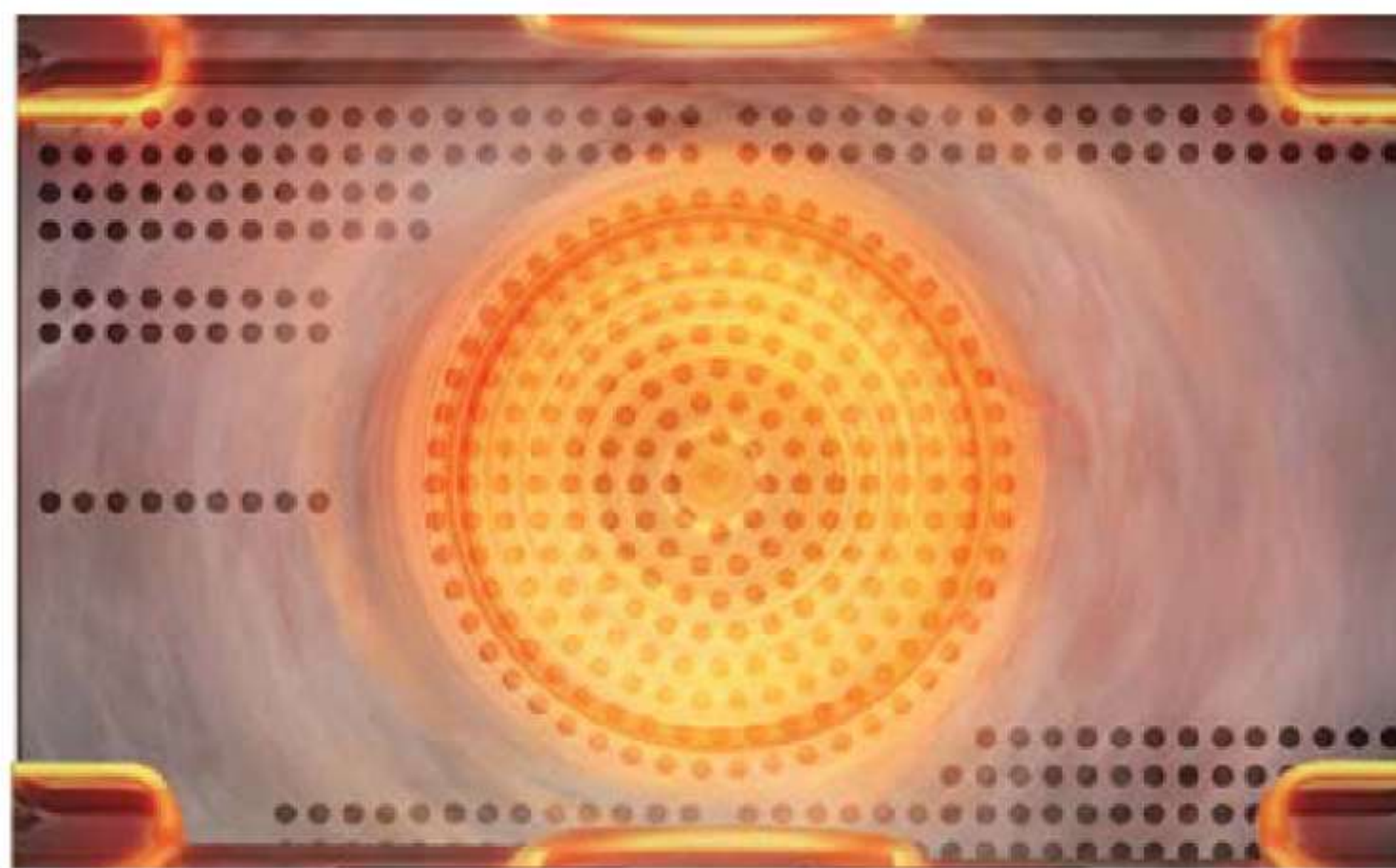
Separately control top and bottom heating element. Temperature difference up to **30°C**. eg. Top 180°C, Bottom 150°C.

UNIFORM TEMPERATURE

Ensures that your food is baked evenly. Say goodbye to unstable temperature.

STEAM-BAKE

3 Levels of Humidity to choose. Retains the moisture of your food during baking.



AIR-FRYING

OIL-FREE COOKING

High speed hot air rotation - **2000r/min** with **98.6%** Fat Removal Rate to remove excessive fat of your food, making your food crispier.

DEHYDRATING

PREVENTS OXIDATION OF FOOD

High Speed Rotation – **2000r/min** to prevents oxidation of food.

EASY TO CLEAN

- **DESCALE**
Descaling notification will be displayed when the oven has operated up to 50 hours of steaming, to notify users to deep clean the oven.
- **HIGH TEMPERATURE STEAM CLEAN**
at 100°C for 10 minutes.
- **DRY VENTILATION**
Drying the chamber.
- **DEODOR**
Minimize / remove the odor.
- **STERILIZATION**
Eliminates harmful bacteria up to 99.99%.

FUNCTIONS

- **JERKY FUNCTION**
Drying meat with temperature ranges from **50 - 230°C**
- **STEW FUNCTION**
Stew soup or dessert up to 4 hours.
- **PROOF FUNCTION**
Ferments dough with shorter time.
- **KEEP WARM FUNCTION**
Keep your food warm.
- **DEFROST FUNCTION**
Thaw frozen food before cooking.

HUMANIZED DESIGN

- **3 LAYER GLASS WITH LOW-E**
Keep the door surface safe to touch during operation.
- **50+6 PRESET MENU**
To cater all your cooking needs.
- **32L CAPACITY**
Cook food of all shapes and sizes effortlessly.



FOTILE X

RANGE HOOD **AMG9068**



RCP
WM
RM6,400
EM
RM6,500

- BLDC Inverter Motor
- Smart SMOTION Detection
- Smart sync
- Smart air diverter
- Rear motor extraction
- Auto turbo system
- Unrestrained airflow 2800m³/h
- IEC airflow 1600m³/h
- Air pressure 1480Pa
- Noise level ≤46dB
- Screen lock
- Delay off function
- Oil Filtration Rate: 92.9%
- Odor Reduction Rate: 98%

RANGE HOOD **AMG9007-i**



RCP
WM
RM6,100
EM
RM6,200

- BLDC Inverter Motor
- Smart SMOTION Detection
- Smart sync
- Smart air diverter
- Rear motor extraction
- Auto turbo system
- Screen lock
- Delay off function
- Unrestrained airflow 1930m³/h
- IEC airflow 1390m³/h
- Air pressure 990Pa
- Noise level ≤46dB
- Oil Filtration Rate: 92%
- Odor Reduction Rate: 97%

FOTILE Z SERIES

RANGE HOOD **ZMG9057**



RCP
WM
RM4,600
EM
RM4,700

- BLDC Inverter Motor
- Smart Sync
- Smart SMOTION Detection
- Intelligent air management
- Dual removeable grill filter
- Auto turbo system
- Delay off function
- Unrestrained airflow 2450m³/h
- IEC airflow 1580m³/h
- Air pressure 1140Pa
- Noise level ≤48dB
- Oil Filtration Rate: 92%
- Odor Reduction Rate: 97%

RANGE HOOD **ZMG9056**



RCP
WM
RM4,600
EM
RM4,700

- BLDC Inverter Motor
- Smart Sync
- Smart SMOTION Detection
- Intelligent air management
- Dual removeable grill filter
- Auto turbo system
- Delay off function
- Unrestrained airflow 2450m³/h
- IEC airflow 1510m³/h
- Air pressure 1170Pa
- Noise level ≤49dB
- Oil Filtration Rate: 92%
- Odor Reduction Rate: 97%

Skylight Range Hood

RANGE HOOD **EMG9070-G**



RCP
WM
RM3,650
EM
RM3,750

- 35" Skylight Suction Plate
- BLDC inverter motor
- Smart sync
- Hidden Smoke Control Design
- Smart SMOTION Detection
- Smart Fresh system
- Depth: 470mm
- Auto turbo system
- Filter-free
- Delay off function
- Screen lock
- Unrestrained airflow 2600m³/h
- IEC airflow 1530m³/h
- Air pressure 1320Pa
- Noise level ≤45dB
- Oil Filtration Rate: 93.2%
- Odor Reduction Rate: 97.5%

RANGE HOOD **JQG9009X**



RCP
WM
RM5,500
EM
RM5,600

- BLDC Inverter Motor
- Smart SMOTION Detection
- Smart sync
- 3-layer centrifugal filter + oil free technology
- Noise level ≤52dB
- Dual removeable grill filter
- Screen lock
- Auto turbo system
- Air pressure 1290Pa
- Delay off function
- Memory function
- Unrestrained airflow 2100m³/h
- IEC airflow 1440m³/h
- Oil Filtration Rate: 95%
- Odor Reduction Rate: 98%

RANGE HOOD **JQG9055-i**



RCP
WM
RM4,300
EM
RM4,400

- BLDC Inverter Motor
- Smart SMOTION Detection
- Smart Sync
- Auto turbo system
- Unique magnet grease filter
- Screen lock
- Delay off function
- Unrestrained airflow 2000m³/h
- IEC airflow 1420m³/h
- Air pressure 1050Pa
- Noise level ≤55dB
- Oil Filtration Rate: 95%
- Odor Reduction Rate: 98.8%

RANGE HOOD **JQG9031**



RCP
WM
RM3,600
EM
RM3,700

- Smart SMOTION Detection
- 180-sec turbo system
- Unique magnet grease filter
- Screen lock
- Delay off function
- Unrestrained airflow 1750m³/h
- IEC airflow 1340m³/h
- Air pressure 460Pa
- Noise level ≤55dB
- Oil Filtration Rate: 95%
- Odor Reduction Rate: 98%

FOTILE W SERIES

RANGE HOOD **EMG9035**



RCP
WM
RM4,600
EM
RM4,700

- BLDC Inverter Motor
- Smart SMOTION Detection
- Patented Wing-like Surround Suction Plate
- Auto turbo system
- Screen lock
- Delay off function
- Unrestrained airflow 1950m³/h
- IEC airflow 1420m³/h
- Air pressure 880Pa
- Noise level ≤48dB
- Oil Filtration Rate: 92%
- Odor Reduction Rate: 97%

RANGE HOOD **EMG9037**



RCP
WM
RM2,700
EM
RM2,800

- Smart SMOTION Detection
- 180-sec turbo system
- Patented Wing-like Surround Suction Plate
- Rounded edge
- Delay off function
- Unrestrained airflow 1600m³/h
- IEC airflow 1240m³/h
- Air pressure 420Pa
- Noise level ≤54dB
- Oil Filtration Rate: 92%
- Odor Reduction Rate: 97%

RANGE HOOD **EMS9028S**



RCP
WM
RM2,700
EM
RM2,800

- Smart SMOTION Detection
- 180-sec turbo system
- Patented Wing-like Surround Suction Plate
- Rounded edge
- Delay off function
- Unrestrained airflow 1600m³/h
- IEC airflow 1210m³/h
- Air pressure 430Pa
- Noise level ≤55dB
- Oil Filtration Rate: 92%
- Odor Reduction Rate: 97%

RANGE HOOD **EMG9008-CR**



RCP
WM
RM3,800
EM
RM3,900

- Recirculation hood
- BLDC Inverter Motor
- Smart SMOTION Detection
- 100-sec turbo system
- Oil filtration rate 96%
- Patented Wing-like Surround Suction Plate
- Carbon filter with 10.5mm buffer space with outer aluminium filter
- Filter replacement notification after 150-450 hours
- Delay off function
- Unrestrained airflow 1400m³/h
- IEC airflow 920m³/h
- Air pressure 850Pa
- Noise level ≤53dB
- Oil Filtration Rate: 96%
- Odor Reduction Rate: 98%



IEC

WHAT IS IEC? It is an international standard and conformity assessment body for all fields of electronics standard, cooker hood airflow should have this standard number (IEC 61591)

EPS-i SERIES

GAS HOB GEG88201



RCP
WM RM2,690
EM RM2,770

- 88cm with 2-burner gas hob
- Patented Jet Collision Technology
- Smart sync with range hood
- Smart timer up to 180-min
- 7+n adjustable flame levels
- Heating load (kW): L:5.35 R:5.35
- ≥60% heating efficiency
- Flexi cut-out size
- Safety ignition pin
- Flame Failure Device (FFD)
- Cast iron grate with tempered glass
- Fast ignition
- Low battery indicator
- Removable washing cup

GAS HOB GEG88306



RCP
WM RM2,890
EM RM2,970

- 88cm with 3-burner gas hob
- Patented Jet Collision Technology
- 7+n adjustable flame levels
- Heating load (kW): L:5.35 M: 1.70 R:5.35
- ≥60% heating efficiency
- Flexi cut-out size
- Safety ignition pin
- Flame Failure Device (FFD)
- Cast iron grate with tempered glass
- Fast ignition
- Low battery reminder
- Removable washing cup

TRI-RINGS SERIES

GAS HOB GLS36503



RCP
WM RM5,400
EM RM5,500

- 91cm with 5-burner gas hob
- Tri-rings Flame
- Top air intake
- Heating load (kW): LR:1.6 LF:3.4 C:5 RR:0.7 RF:3.4
- Brass material burner
- Safety ignition pin
- Flame Failure Device (FFD)
- 304 Stainless steel surface
- Fast ignition
- 13amp power socket

SUPER FLAME SERIES

GAS HOB GHG78221-i



RCP
WM RM1,790
EM RM1,870

- 78cm with 2-burner gas hob
- Smart sync with range hood
- Heating load (kW): L:5.0 R:5.0
- ≥60% heating efficiency
- Flexi cut-out size
- Safety ignition pin
- Flame Failure Device (FFD)
- Cast iron grate with tempered glass
- Instant ignition
- Stable Pan Support

SUPER FLAME SERIES

GAS HOB GHG73201



RCP
WM RM1,370
EM RM1,450

- 73cm with 2-burner gas hob
- Heating load (kW): L:5.0 R:5.0
- ≥60% heating efficiency
- Safety ignition pin
- Flame Failure Device (FFD)
- Cast iron grate with tempered glass
- Fast ignition
- Low battery reminder
- Heat shield pan support

GAS HOB GHG78215



RCP
WM RM1,770
EM RM1,850

- 78cm with 2-burner gas hob
- Heating load (kW): L:5.0 R:5.0
- ≥60% heating efficiency
- Flexi cut-out size
- Safety ignition pin
- Flame Failure Device (FFD)
- Cast iron grate with tempered glass
- Fast ignition
- Low battery reminder
- Removable washing cup

GAS HOB GHG78312



RCP
WM RM2,070
EM RM2,150

- 78cm with 3-burner gas hob
- Heating load (kW): L: 5.0 M: 1.7 R: 5.0
- ≥60% heating efficiency
- Safety ignition pin
- Flame Failure Device (FFD)
- Cast iron grate with tempered glass
- Fast ignition
- Low battery reminder
- Removable washing cup

GAS HOB GHG88215



RCP
WM RM2,570
EM RM2,650

- 88cm with 2-burner gas hob
- Heating load (kW): L: 5.0 R: 5.0
- ≥60% heating efficiency
- Flexi cut-out size
- Safety ignition pin
- Flame Failure Device (FFD)
- Cast iron grate with tempered glass
- Fast ignition
- Low battery reminder
- Removable washing cup

ELECTRIC HOB

CERAMIC HOB EEG75201



RCP
WM RM3,970
EM RM4,050

- Made-in-Germany SCHOTT CERAN® ceramic glass surface
- Made-in-Germany E.G.O electric radiation technology
- 3 heat radiation zones, 1-5 power level
- Timer : 1-599min
- Heating load (kW): Total 4.5kW
L: 0.2 - 1 (inner ring only),
0.44 - 2.2 (inner + outer rings)
R: 0.46 - 2.3 (inner + outer rings)
- To be connected directly to a min. 20A circuit breaker

CERAMIC HOB EEG60301



RCP
WM RM3,790
EM RM3,870

- Made-in Germany SCHOTT CERAN® ceramic glass surface
- Made-in Germany E.G.O electric radiation technology
- 4 heat radiation heating zones, 1-9 power levels
- Touch control
- Easy to clean
- Timer: 1-99min
- Heating load (kW): Total: 5.2kW
L-Upper: 1.8 L-Bottom: 1.2 R: 2.2
- To be connected directly to a min. 25A circuit breaker

INDUCTION HOB EIG76203



RCP
WM RM4,370
EM RM4,450

- Made-in-Germany SCHOTT CERAN® ceramic glass surface
- 4x magnetic protection
- 8 safety features
- Dual-core CPU
- Boost & Keep Warm function
- Removable magnetic knob
- 1-9 power levels
- Timer: 1-99min
- Heating load (kW): Total 3.4kW
L: 3.0 R: 3.0
- To be connected directly to a min. 16A circuit breaker

HYBRID HOB MEG70201



RCP
WM RM3,600
EM RM3,680

- Made-in-Germany SCHOTT CERAN® ceramic glass surface
- 22 power levels (100W to 2200W)
- 6 safety features
- Touch control
- Timer: 10 Hours
- Pause & Keep Warm function
- Suitable for different types of cookware
- ≥86% heating efficiency
- Heating load (kW): Total 3.6kW
L: 2.2 R: 2.2
- To be connected directly to a min. 16A circuit breaker

ENHANCE YOUR CULINARY SKILLS

DOMINO
HOB

DOMINO HOB

GAS HOB GEG30103



RCP
WM RM1,300
EM RM1,380

- . 1-burner domino gas hob
- . Heating load (kW): 5.35
- . ≥60% heating efficiency
- . Patented Jet Collision Technology
- . Safety ignition pin
- . Flame Failure Device (FFD)
- . Fast Ignition
- . Cast iron grate with tempered glass
- . Removable washing cup

CERAMIC HOB D7RW



RCP
WM RM1,780
EM RM1,860

- . Made-in Germany SCHOTT CERAN® ceramic glass surface
- . Made-in Germany E.G.O electric radiation technology
- . 2 heat radiation heating zones, 1-9 power levels
- . Touch control . Easy to clean
- . Timer : 1-99min
- . Heating load (kW): 2.4kW
- . To be connected directly to a min. 13A circuit breaker

CERAMIC HOB EEG30202



RCP
WM RM2,450
EM RM2,530

- . Made-in Germany SCHOTT CERAN® ceramic glass surface
- . Made-in Germany E.G.O electric radiation technology
- . 3 heat radiation heating zones, 1-9 power levels
- . Touch control . Easy to clean
- . Timer: 1-99min
- . Heating load (kW): Total: 2.9kW
Upper: 1.7 ; Bottom: 1.2
- . To be connected directly to a min. 15A circuit breaker

INDUCTION HOB EIG30102



RCP
WM RM2,350
EM RM2,430

- . Made-in-Germany SCHOTT CERAN® glass surface
- . 4x magnetic protection
- . 7 safety features . Dual-core CPU
- . Boost & Keep Warm function
- . 1-9 power levels
- . Timer: 1-99min
- . Heating load (kW): 3.0kW
- . To be connected directly to a min. 15A circuit breaker

MORE VARIETY ON YOUR DAILY COOKING

OVEN

OVEN KSG7007A



RCP
WM RM3,780
EM RM3,880

- . Multi-function oven with 8 functions
- . Removeable triple glazed door with Low E-glass
- . Easy operation with mechanical control
- . 5 level shelf positions with stainless steel holder
- . Beginner friendly cooking tips
- . 3 Japanese heating tubes
- . Anti-spill grill for increased safety
- . Front ventilation system
- . Fermentation
- . Power: 2.8kW . Capacity 70L
- . To be connected directly to a min. 15A circuit breaker

ONE OVEN

ONE OVEN HYZK26-E1



RCP
WM RM2,999
EM RM3,099

- . Steam, Bake, Air Fry and Dehydrate
- . 3 layer glass door with Low-E
- . Freestanding oven
- . 10 cooking modes . 3 cleaning modes
- . 40 preset cooking programs
- . 900ml water tank, continues working up to 96 mins
- . Superheated Steam up to 110°C
- . Fermentation, keep warm
- . Dimension W x D x H (mm): 451 x 478 x 355
- . Power: 2.1kW . Capacity 26L

ONE OVEN PLUS HYZK32-E3



RCP
WM RM3,699
EM RM3,799

- . Steam, Bake, Air Fry and Dehydrate
- . 3 layer glass door with Low-E
- . Freestanding oven . Dual temperature control
- . 15 cooking modes . 5 cleaning modes
- . 50+6 preset cooking programs
- . 900ml water tank, continues working up to 90 mins
- . Superheated Steam up to 120°C
- . Stew, fermentation, keep warm, defrost, sterilization, deodor
- . Dimension W x D x H (mm): 474 x 512 x 375
- . Power: 2.15kW . Capacity 32L

MICROWAVE OVEN

MICROWAVE OVEN HW25800K-03G



RCP
WM RM2,899
EM RM2,999

- . Independent ventilation system
- . Microwave and grill heating
- . Touch control
- . Child lock function
- . Wide LED screen display
- . 8 express cooking menu
- . Input power: Microwave: 1.35kW
Grill : 0.85kW
- . Output power: 0.8kW
- . Capacity 25L

COMBI OVEN

COMBI OVEN HZK-TS1.A



RCP
WM RM7,580
EM RM7,680

- . Steam, Bake, Air Fry and Dehydrate
- . 3 layer glass door with Low-E
- . Auto humidity technology system
- . 10 cooking modes . 3 cleaning modes
- . 52+3 preset programs
- . 1300ml water tank, continues working up to 90 mins
- . Superheated Steam up to 120°C
- . Fermentation, keep warm, defrost
- . Power: 3.4kW . Capacity 42L
- . To be connected directly to a min. 15A circuit breaker

COMBI OVEN HZK72-H1-i



RCP
WM RM7,880
EM RM7,980

- . FOTILE Connect App applicable
- . Scheduled Cooking
- . Access 200+ Cloud Recipes
- . Error Alerts . Status Review
- . Steam, Bake, Air Fry and Dehydrate
- . 3 layer glass door with Low-E
- . Steam-bake smart combo . 17 cooking modes
- . 55 preset programs
- . 1200ml water tank, continues working up to 120 mins
- . Superheated Steam up to 120°C
- . Fermentation, keep warm, defrost
- . Multilayer cooking . 6 support modes
- . Capacity 72L

OVEN



OVEN

OVEN KSG7003AT



RCP
WM
RM5,200
EM
RM5,300

- . Multi-function oven with 11 functions
- . Illuminated 'O' touch screen
- . Removeable triple glazed door with double Low E-glass
- . LED digital display with touch control
- . 5 level shelf positions with stainless steel holder
- . Beginner friendly cooking tips
- . Child lock function and timer
- . Damping hinge for soft closing
- . Hot air filter and 5 Japanese heating tubes
- . Front ventilation system
- . Fermentation
- . Power: 3.2kW
- . Capacity 70L
- . To be connected directly to a min. 15A circuit breaker

STEAM OVEN

STEAM OVEN SCD42-C2T



RCP
WM
RM5,800
EM
RM5,900

- . Dual-effect steam technology, fast heating
- . Illuminated 'O' touch screen
- . Anti-condensation technology
- . Dynamic steam balance system
- . 1.4 litre water tank
- . 8 preset programs
- . Continuous steam for 120mins
- . Power: 2.2kW
- . Capacity 42L

MICROWAVE OVEN

MICROWAVE OVEN HW25800P-C2T



RCP
WM
RM3,299
EM
RM3,399

- . Independent ventilation system
- . Illuminated 'O' touch screen
- . Microwave and grill heating
- . Child lock function
- . 8 express cooking menu
- . Input power: Microwave - 1.25kW
Grill - 0.75kW
- . Output power: 0.5kW
- . Capacity 25L

THE ZERO HERO

DISHWASHER BD3B-G6-i



RCP
WM
RM7,688
EM
RM7,788

- . FOTILE Connect App applicable . Device Control . Status Preview
- . High Pressure HydroJet Technology 3.0 – 50,000Pa
- . Trio Ventilation Drying. Fan Dry: 20mins
- . 100°C Steam Sterilization . Self Cleaning Schedule
- . 99 Days Storage System . Mother and Baby Care Wash
- . Automated Drainage System . Dish Warmer
- . Knock twice to open . Self-clean
- . Smart projection . Claypot
- . Fits 20 table settings . Dishwasher Capacity 160L
- . 9 core + 7 additional programs
- . Household water pressure: 0.14MPa – 1MPa

DISHWASHER BD2BV01



RCP
WM
RM6,888
EM
RM6,988

- . High Pressure HydroJet Technology - 40,000Pa
- . Dual ventilation drying . Fan dry: 45mins
- . 75°C High Temperature Sterilization
- . 96 Hours Storage System
- . Smart Space Management System
- . Automated Drainage System
- . Auto clean program
- . Fits 47-94 pieces of tablewares
- . 6 core + 4 additional programs
- . Household water pressure: 0.14MPa - 1MPa
- . Dishwasher capacity 136L

DISHWASHER BD2B-G5



RCP
WM
RM4,588
EM
RM4,688

- . High Pressure HydroJet Technology – 34,000Pa
- . Dual Ventilation Drying. Fan Dry: up to 45mins
- . 75°C High-temperature Sterilization
- . 96 Hours Storage System
- . Automated Drainage System
- . Fits 47-88 pieces of tablewares
- . 6 core + 3 additional programs
- . Household water pressure: 0.14MPa – 1MPa
- . Dishwasher Capacity 101L

SINK DISHWASHER SD2F-P6



RCP
WM
RM6,599
EM
RM6,699

Faucet is not included

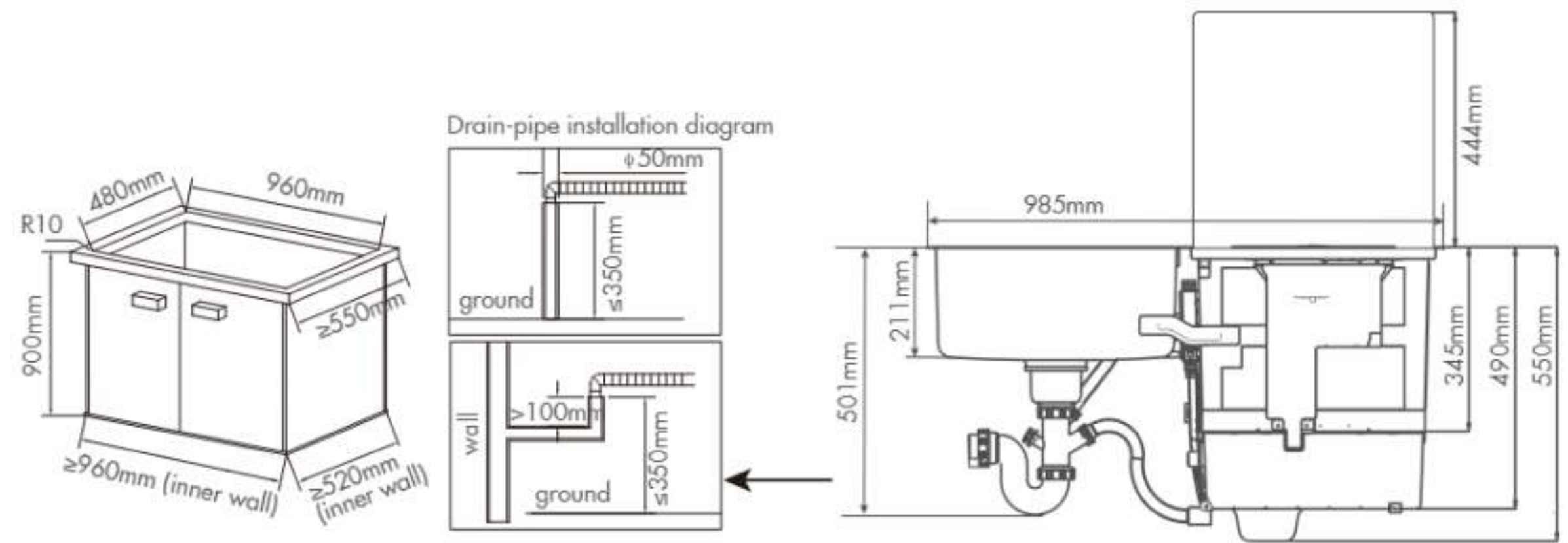
- . 3-in-1 sink dishwasher - Sink, Dishwasher, Fruits & Vegetable Purifier
- . High Pressure HydroJet Technology - 40,000Pa
- . Triple drying technology . Fan dry: 30 mins
- . 96 Hours Storage System
- . Automated Drainage System
- . Fits 55 pieces of tablewares
- . Food grade 304 stainless steel sink material
- . Waterproofing capacitive touch screen
- . Household water pressure: 0.14MPa - 1MPa
- . Large sink size: 455mm (l) x 405mm (w) x 211mm (d)

INSTALLATION GUIDE

SINK-DISHWASHER SD2F-P6 INSTALLATION GUIDE

BEFORE INSTALLATION REQUIREMENT:

1. The outlet (drainage) pipe must be $\leq 350\text{mm}$ from the ground, pipe diameter $\geq 50\text{mm}$
2. Table top cut-out size must be ready before installation
3. Prepare a 13amp power point inside the cabinet
- ★ 4. Installation type : Top mount only



BUILT-IN DISHWASHER INSTALLATION GUIDE

BEFORE INSTALLATION REQUIREMENT:

1. The outlet (drainage) pipe & water inlet must be near to dishwasher.
2. The drain hose hook from the ground must be at least 300 mm ~ 500 mm.
3. Cabinet cut-out size must be ready before installation
4. Prepare a 13amp power point inside the cabinet.
5. Do not place any objects to block the ventilation outlet at bottom front of dishwasher.
6. If there is a base of cabinet, it must be strong enough to withstand more than 60Kg.
7. Recommended to prepare skirting board.
8. For BD3B-G6-i Dishwasher, it must be installed according to the Figure 1.1

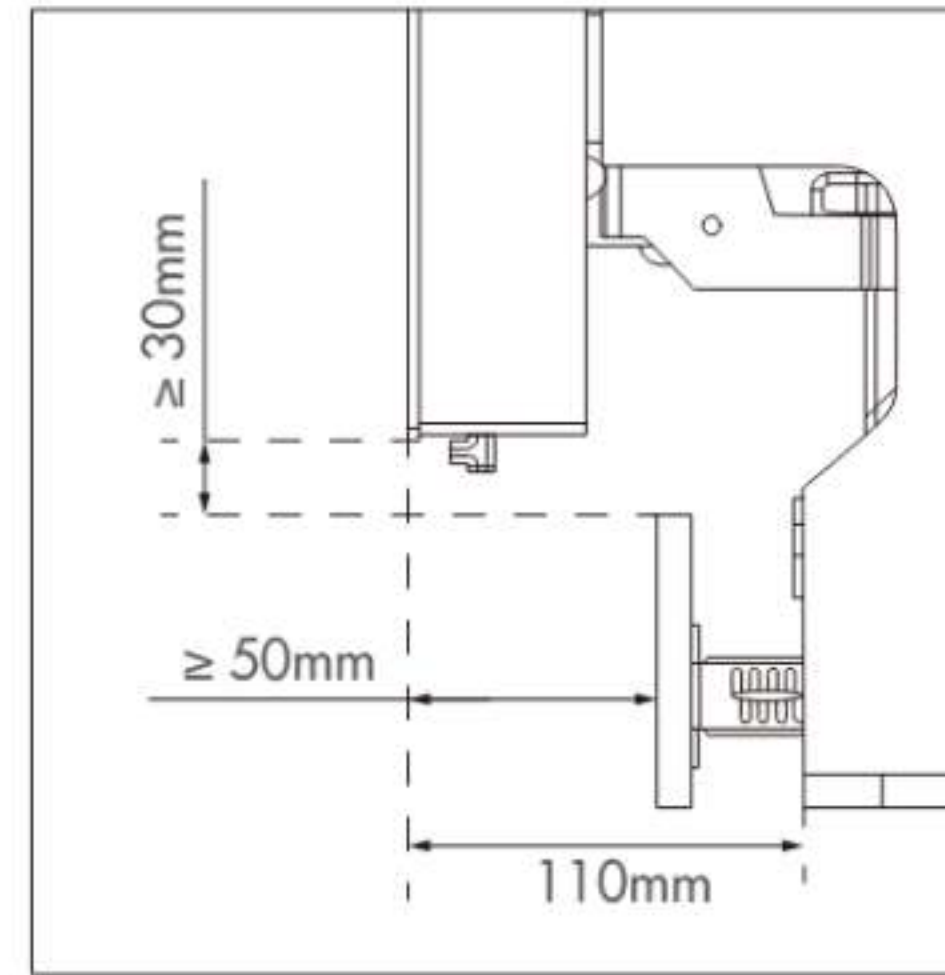
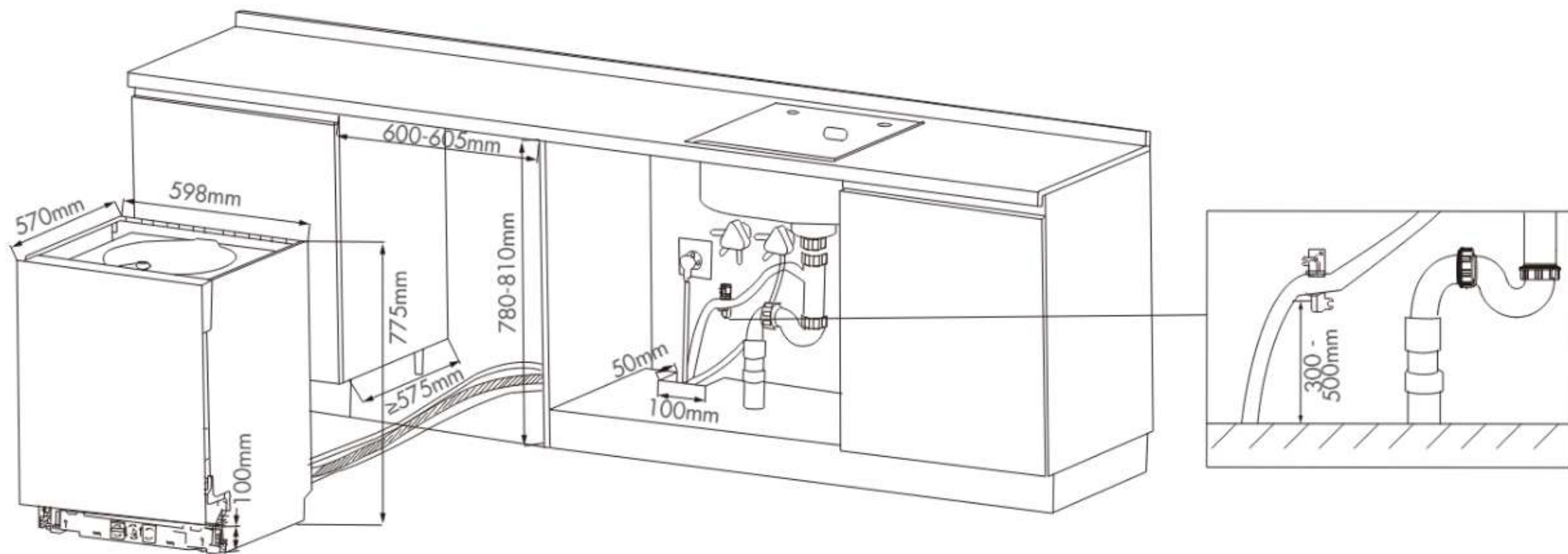


Figure 1.1

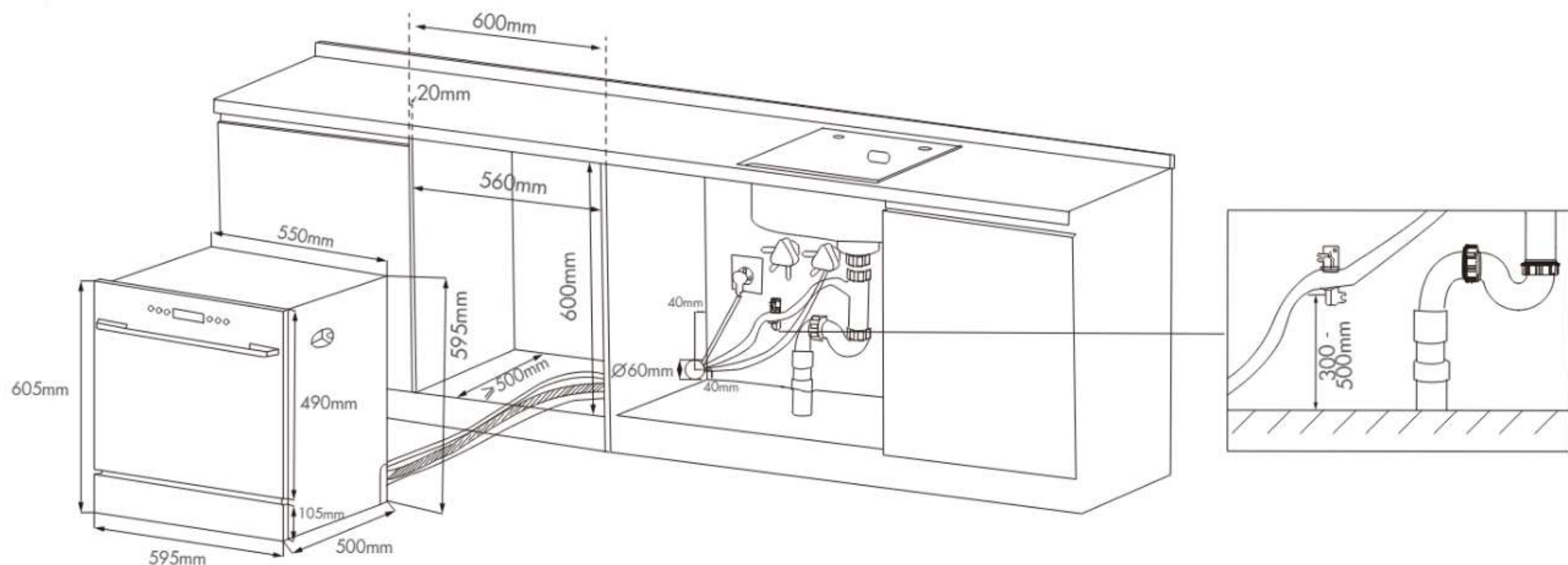
Dishwasher

BD2BV01 & BD3B-G6-i



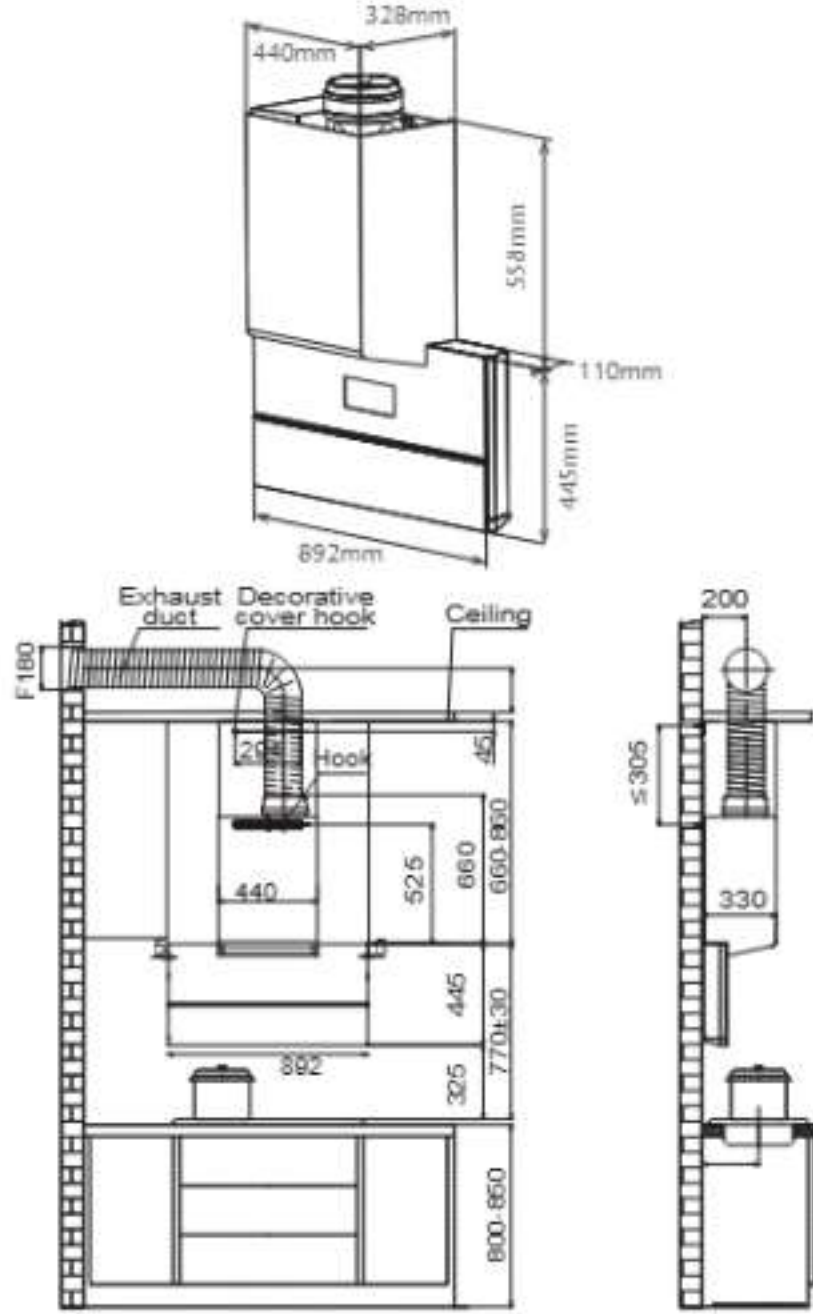
Dishwasher

BD2B-G5



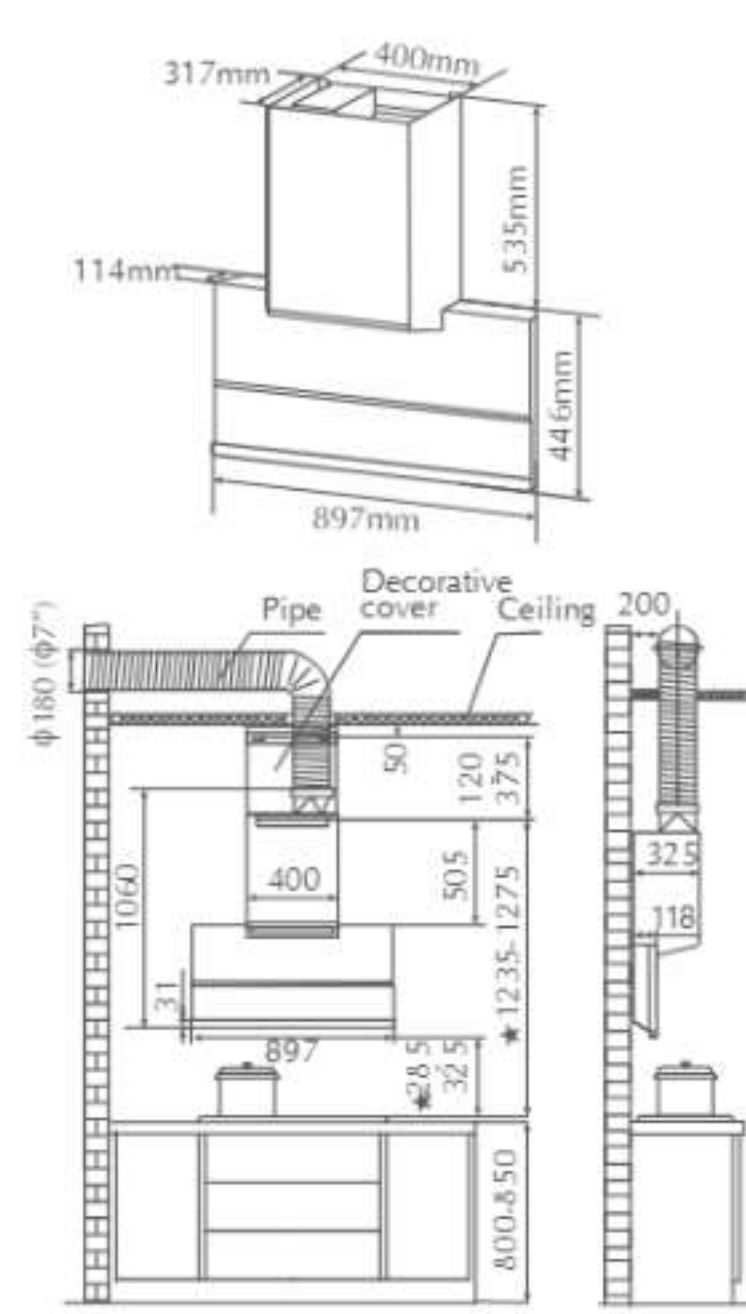
INSTALLATION DIAGRAM

HOOD AMG9068



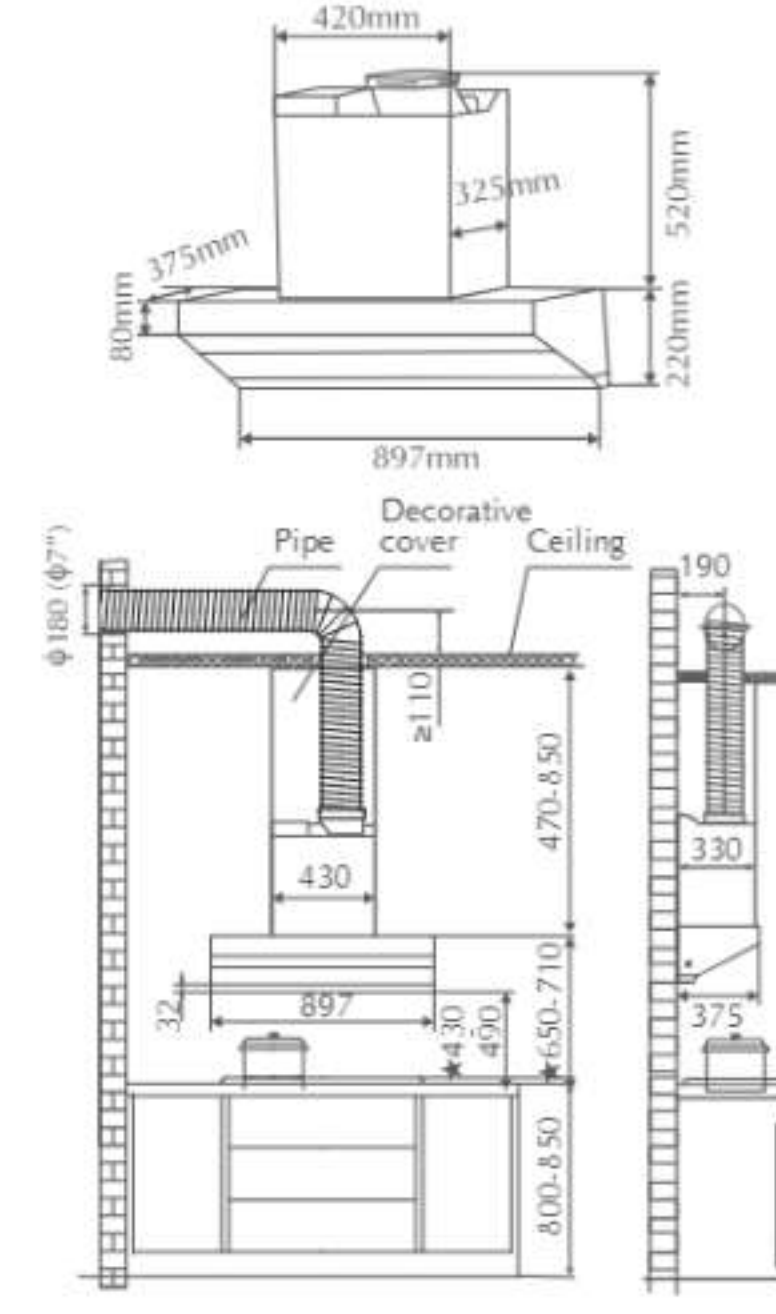
* Distance is calculated from the pan support of hob

HOOD AMG9007-i



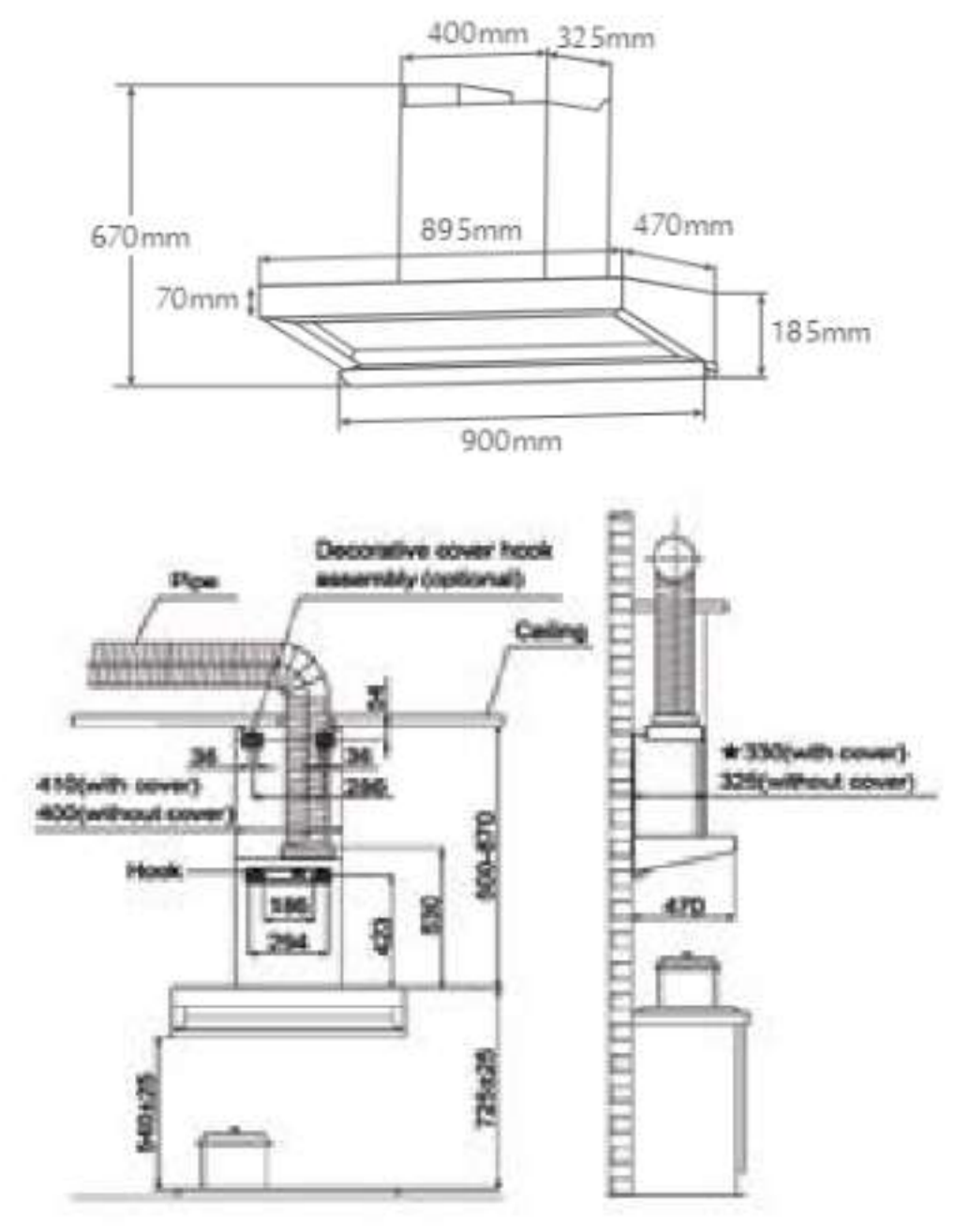
* Distance is calculated from the pan support of hob

HOOD ZMG9056 / ZMG9057



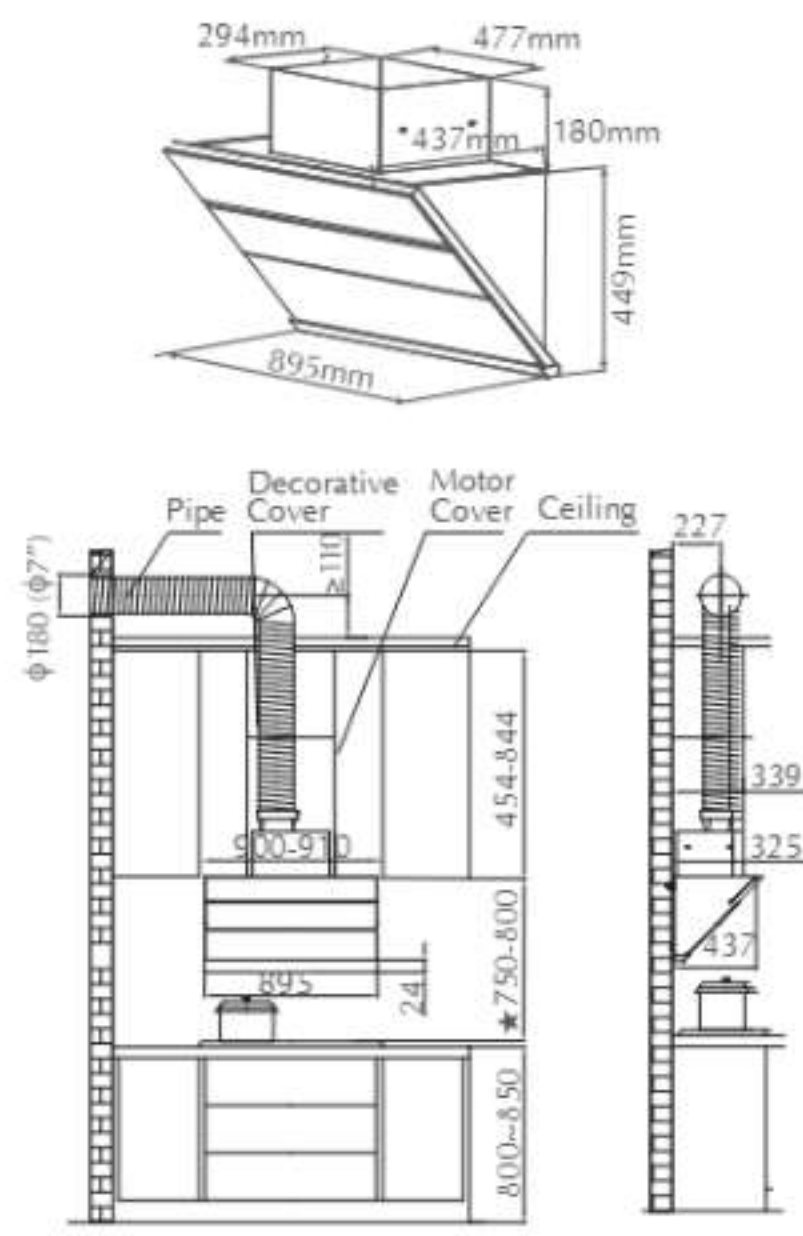
* Distance is calculated from the pan support of hob

HOOD EMG9070-G



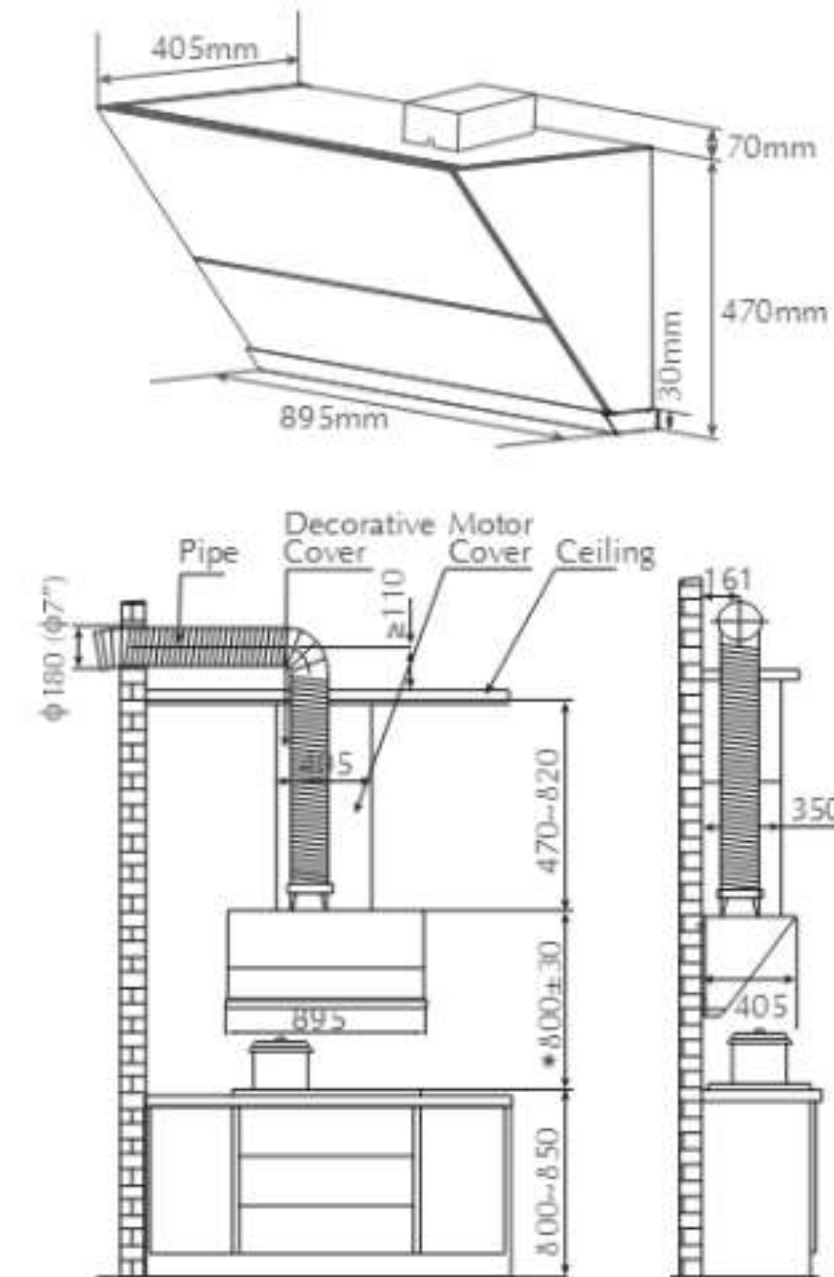
* Distance is calculated from the pan support of hob

HOOD JQG9009X



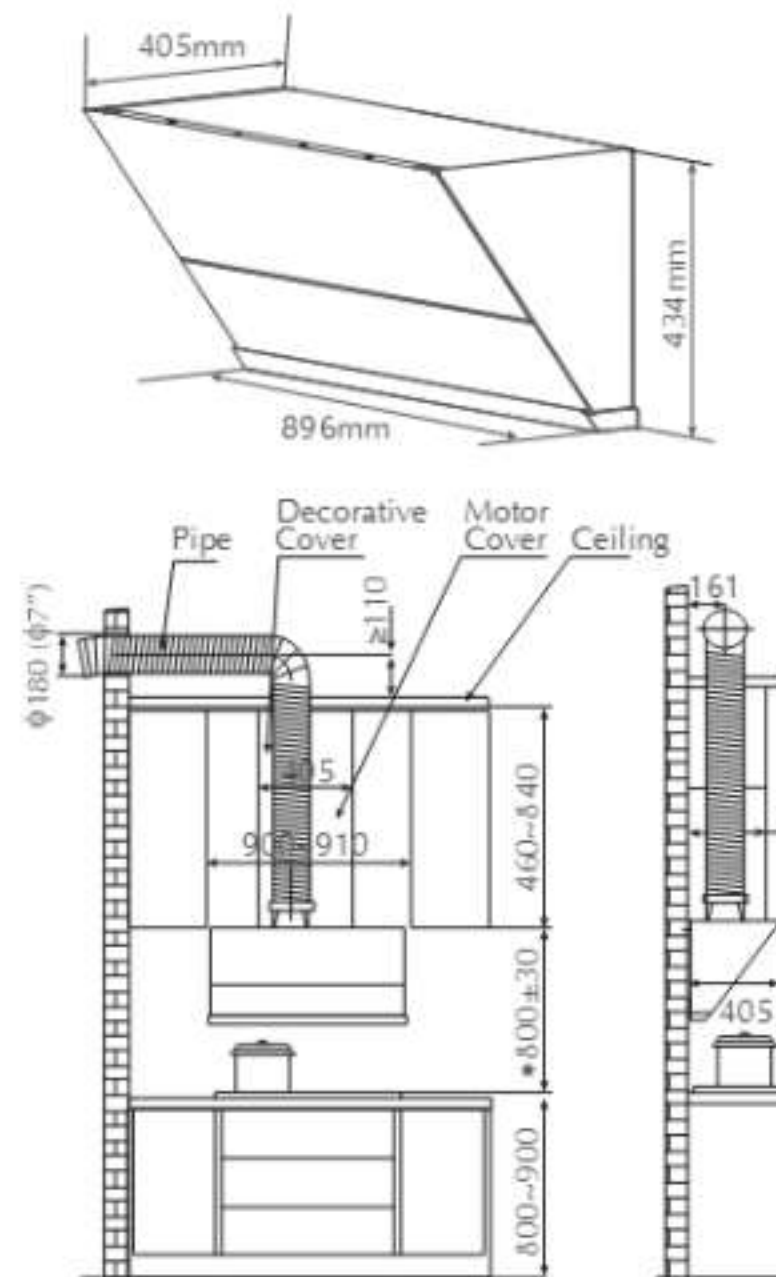
* The distance of 750mm - 800mm is calculated from pan support of hob to the hood's screw hooks.

HOOD JQG9055-i



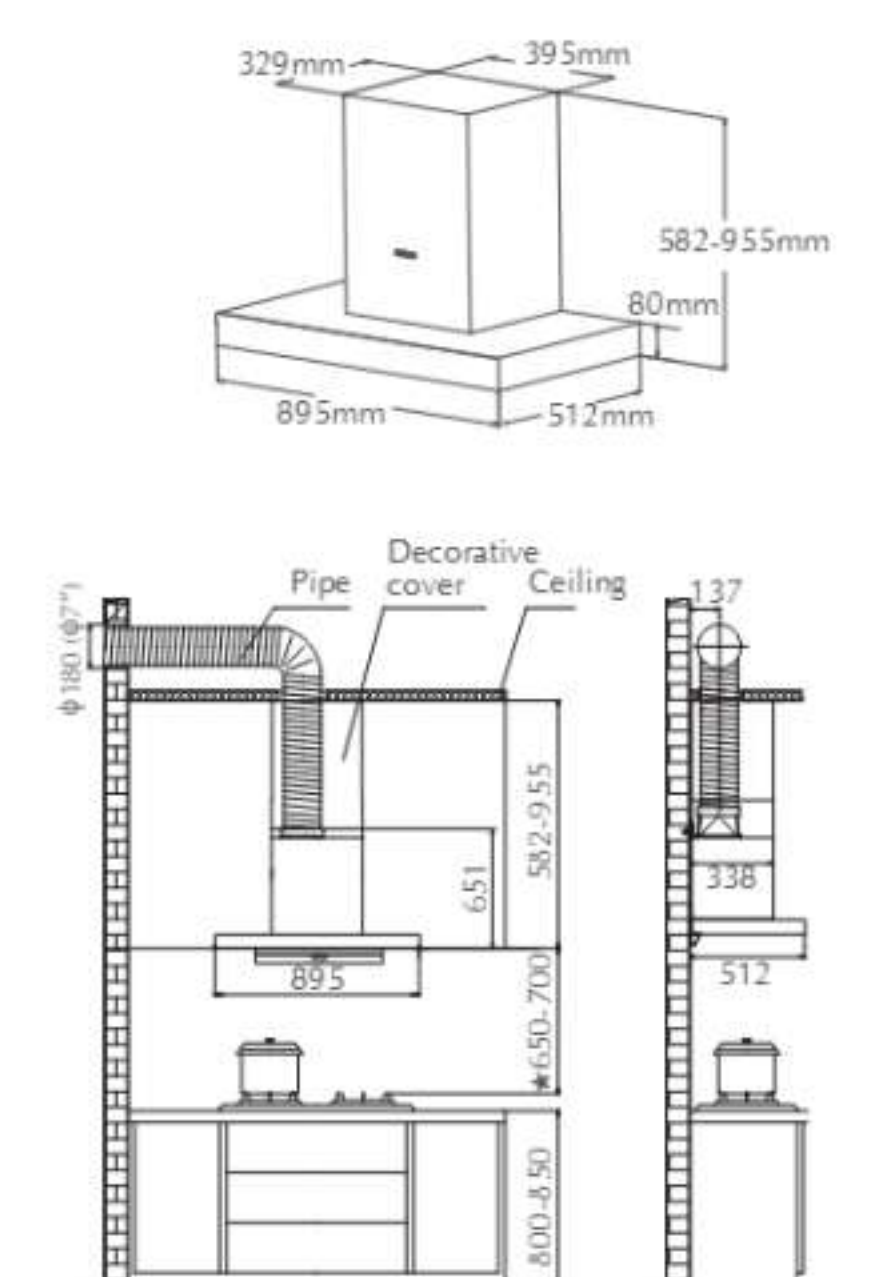
* Distance is calculated from the pan support of hob

HOOD JQG9031



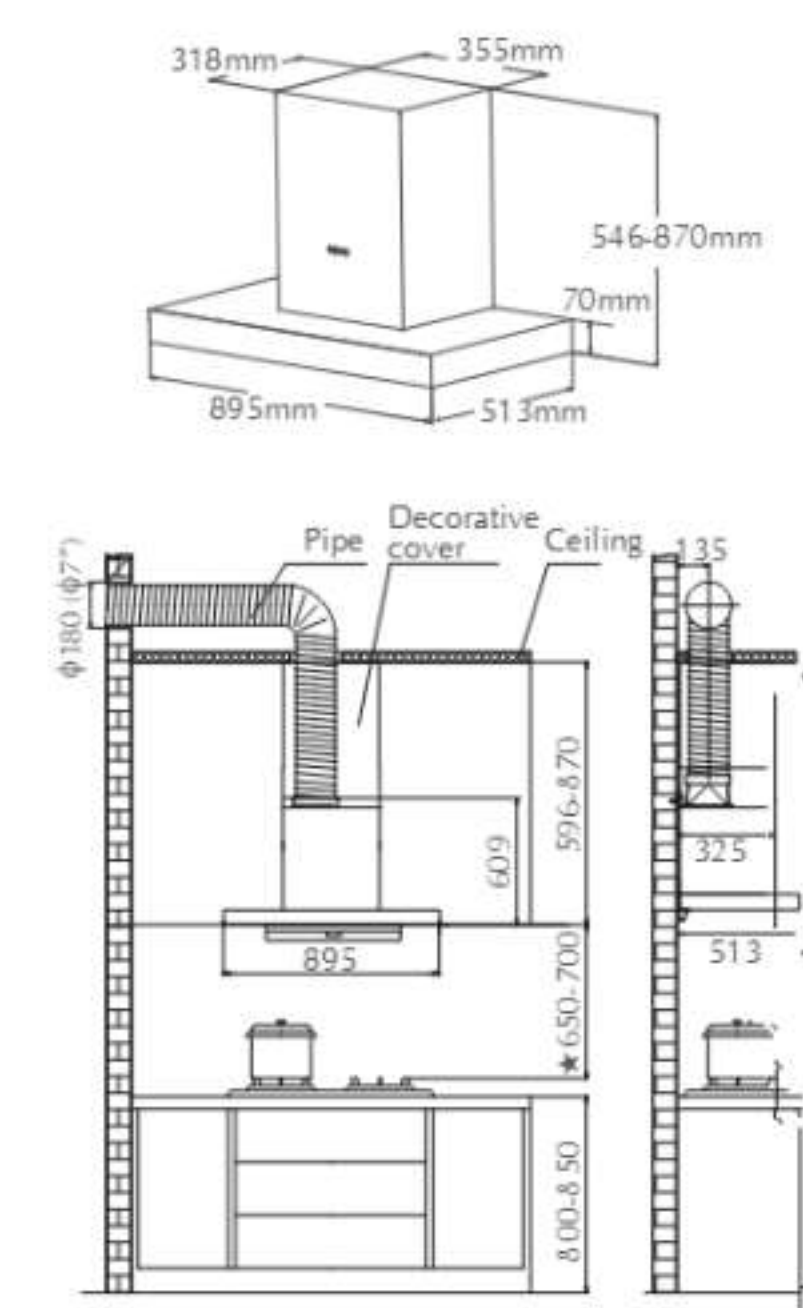
* Distance is calculated from the pan support of hob

HOOD EMG9035



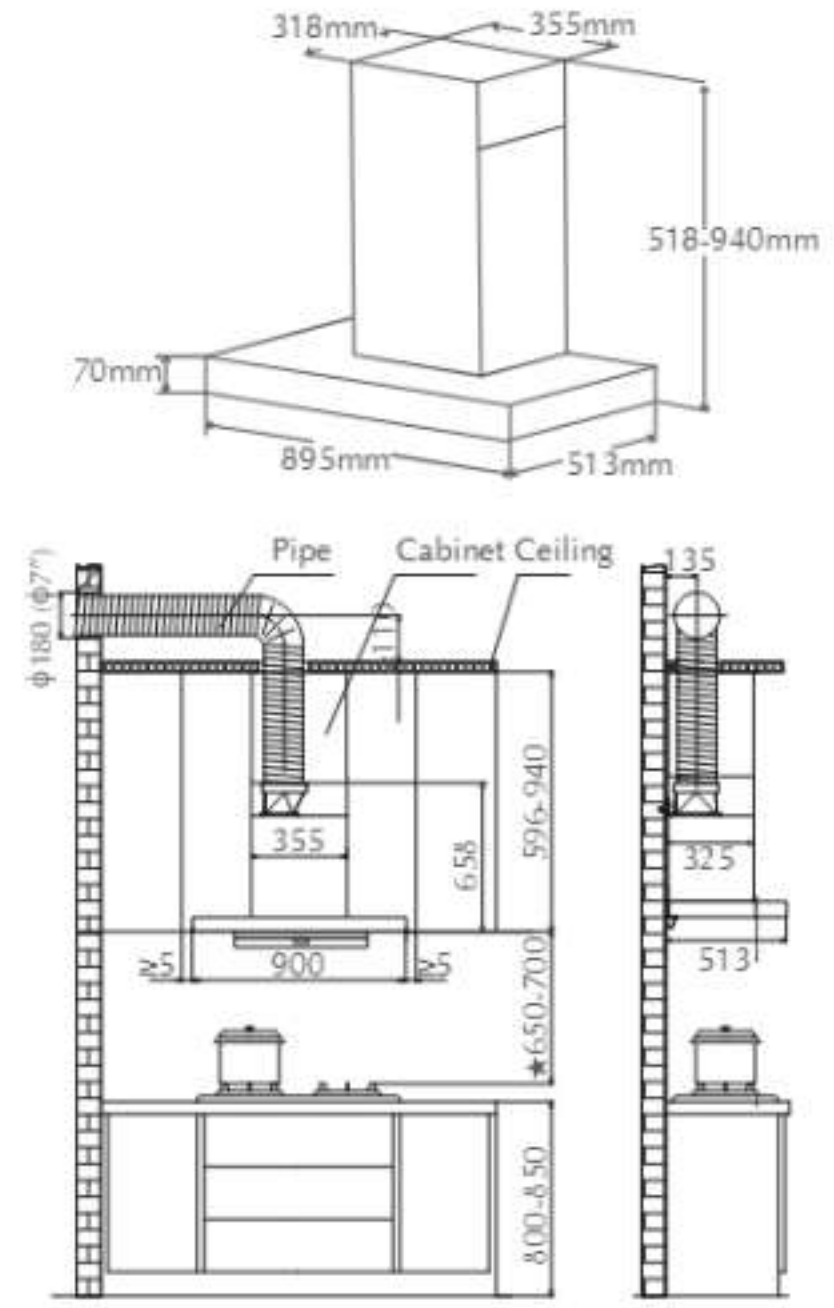
* Distance is calculated from the pan support of hob

HOOD EMG9037



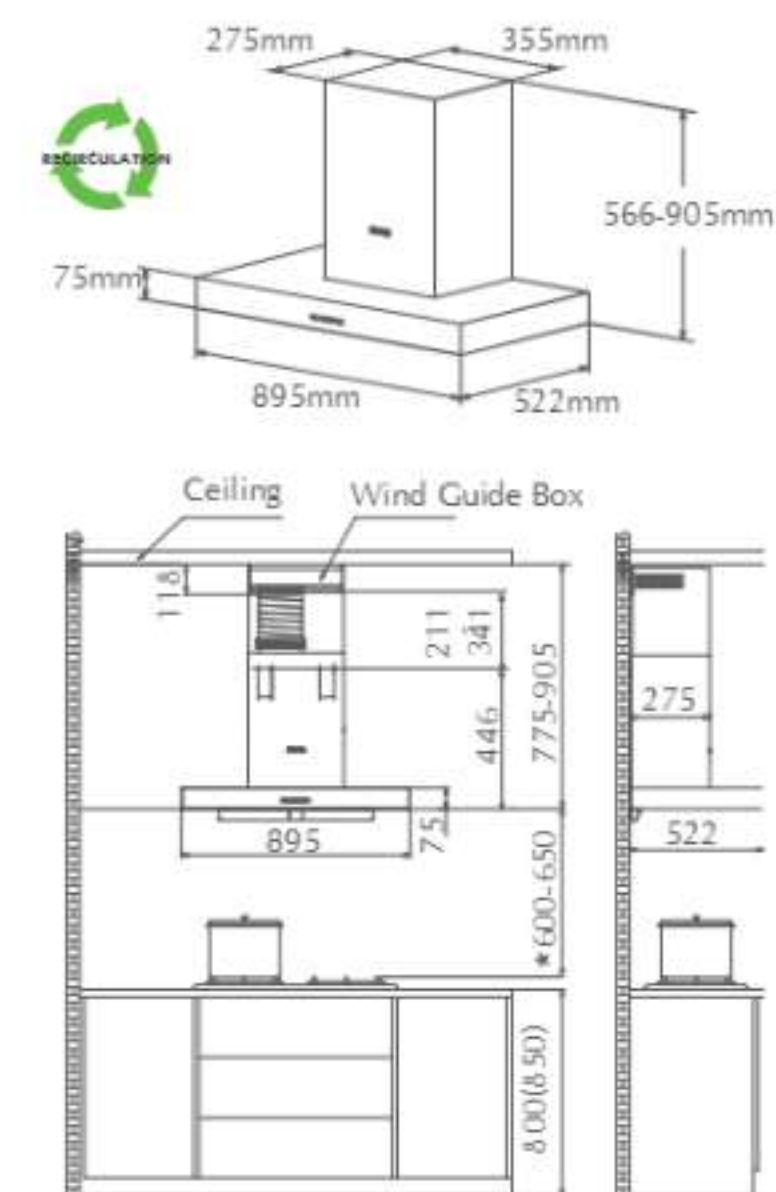
* Distance is calculated from the pan support of hob

HOOD EMS9028S

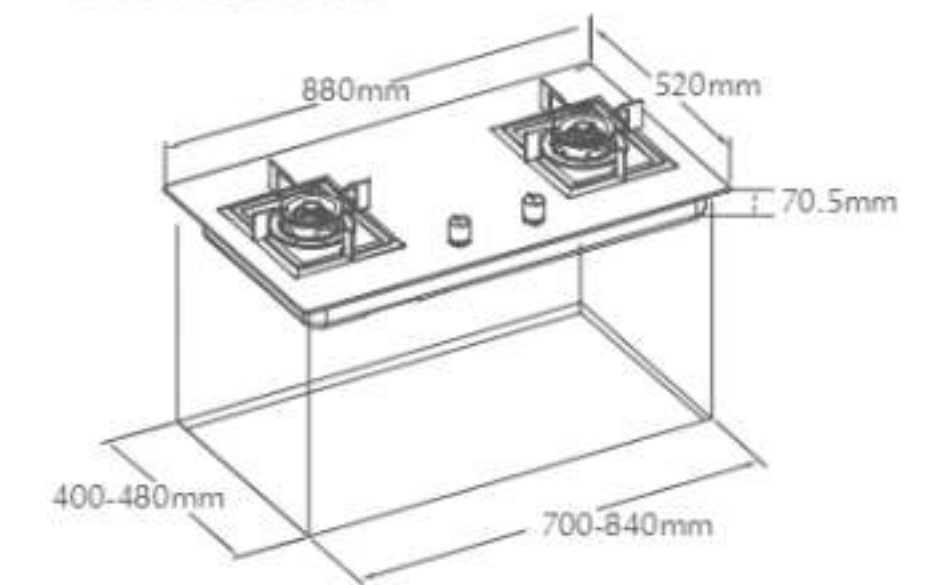


* Distance is calculated from the pan support of hob

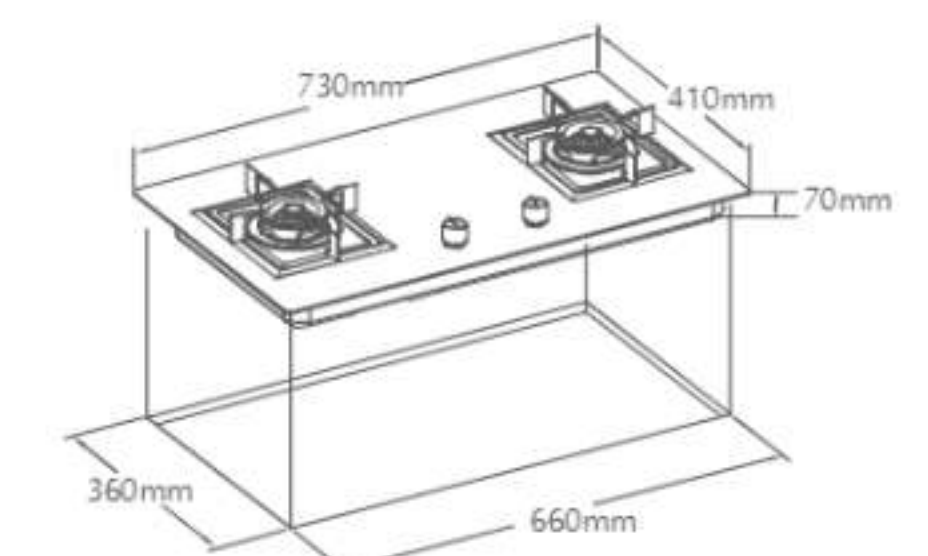
HOOD EMG9008-CR



HOB GEG88201 GEG88306 GHG88215

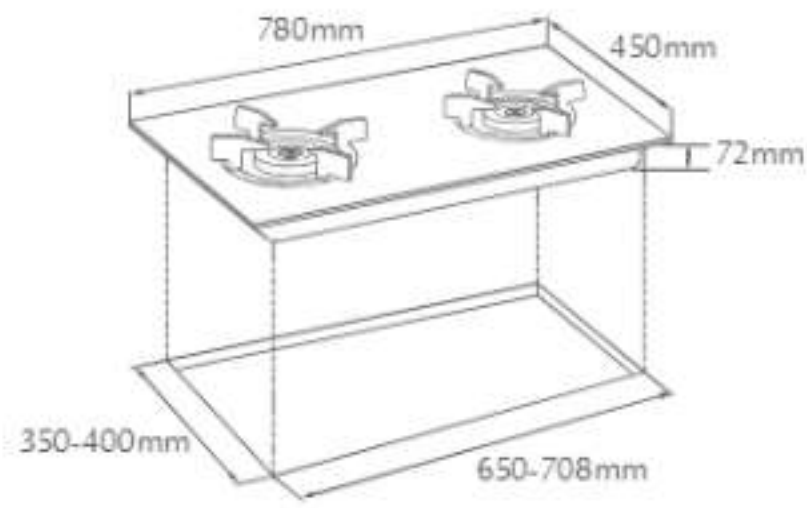


HOB GHG73201

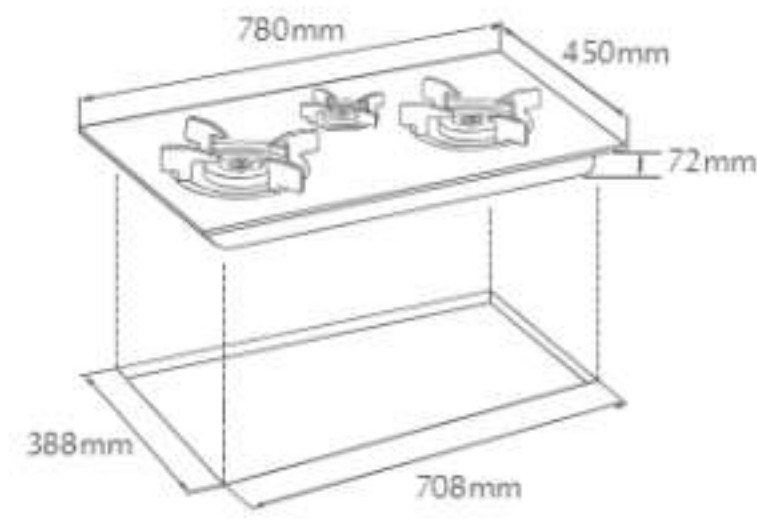


INSTALLATION DIAGRAM

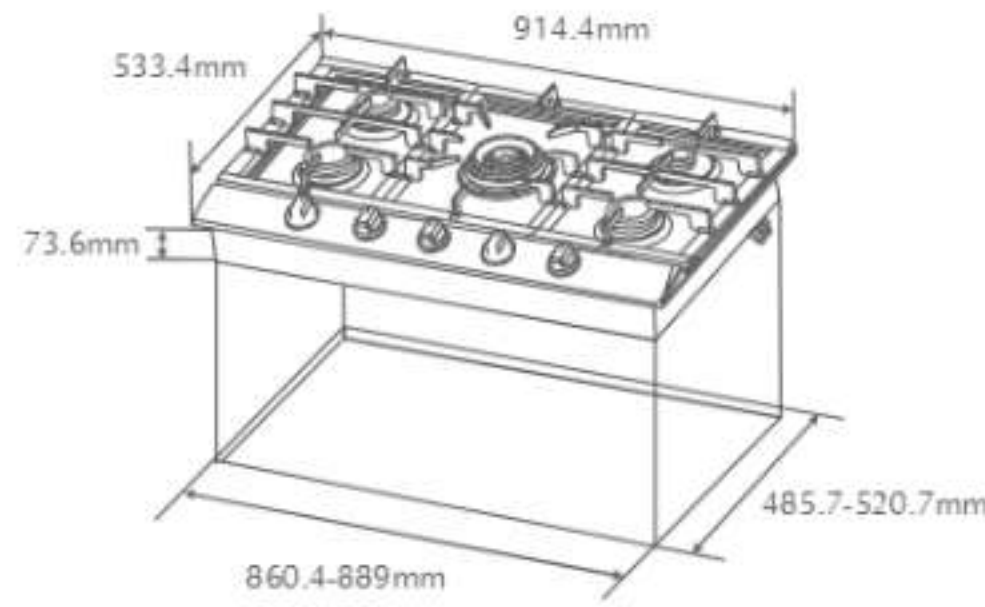
HOB
GHG78215
GHG78221-i



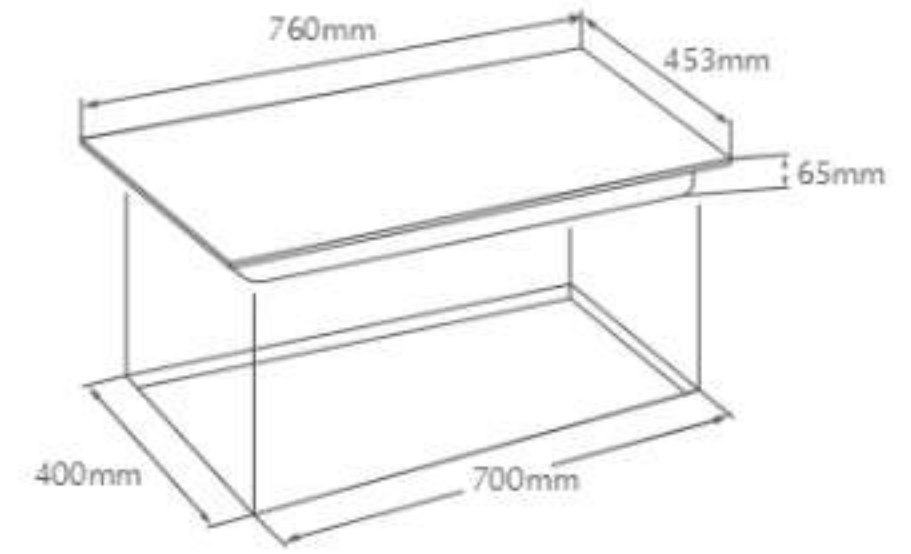
HOB
GHG78312



HOB
GLS36503

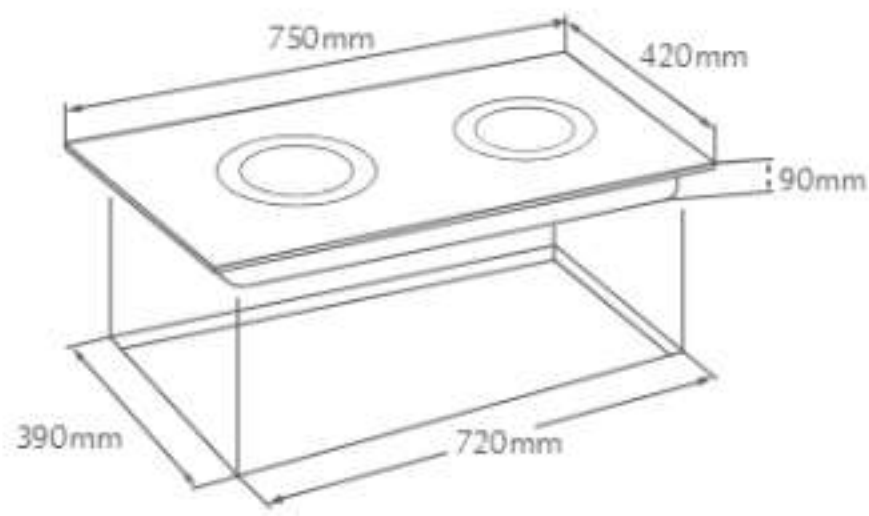


HOB
EIG76203



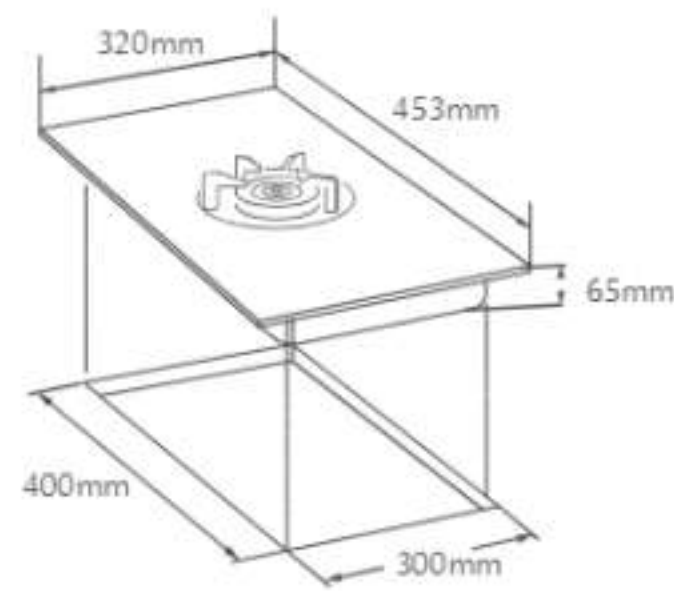
TO BE CONNECTED DIRECTLY TO A MIN. 16AMP
CIRCUIT BREAKER

HOB
EEG75201

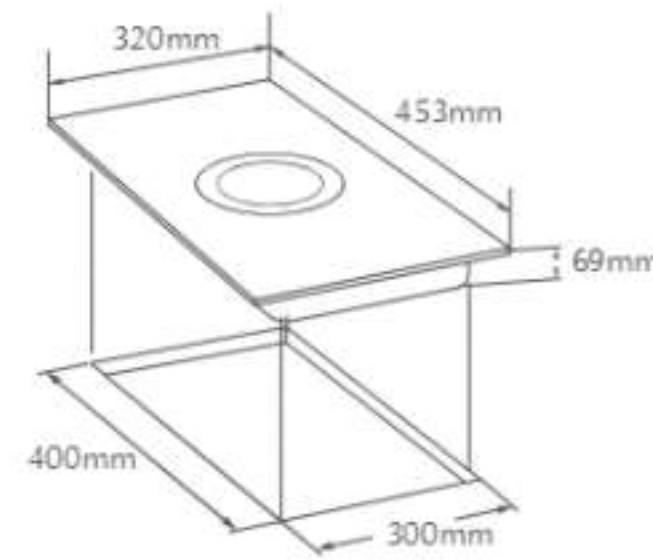


TO BE CONNECTED DIRECTLY TO A MIN. 20AMP
CIRCUIT BREAKER

HOB
GEG30103

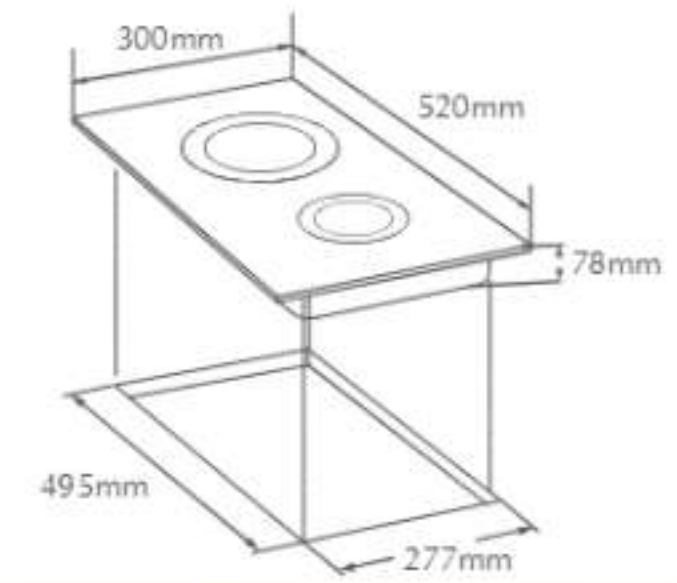


HOB
D7RW
EIG30102



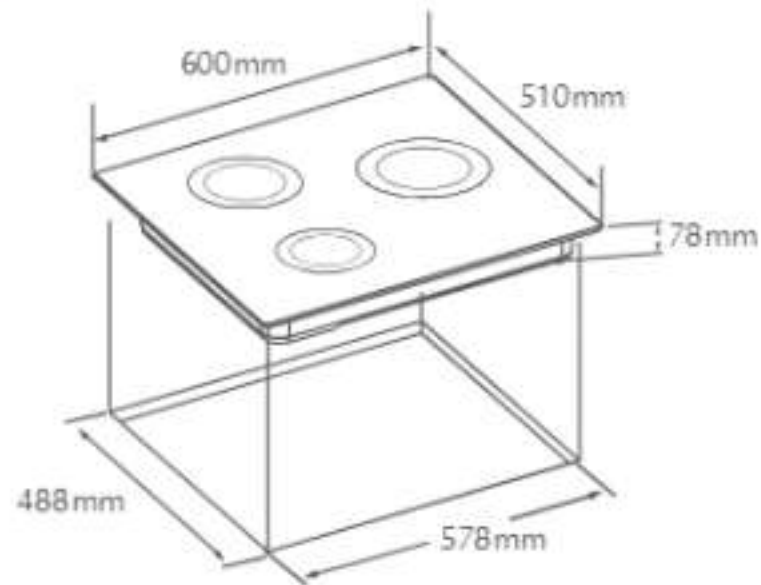
D7RW: TO BE CONNECTED DIRECTLY TO A MIN.
13AMP CIRCUIT BREAKER
EIG30102: TO BE CONNECTED DIRECTLY TO A MIN.
15AMP CIRCUIT BREAKER

HOB
EEG30202



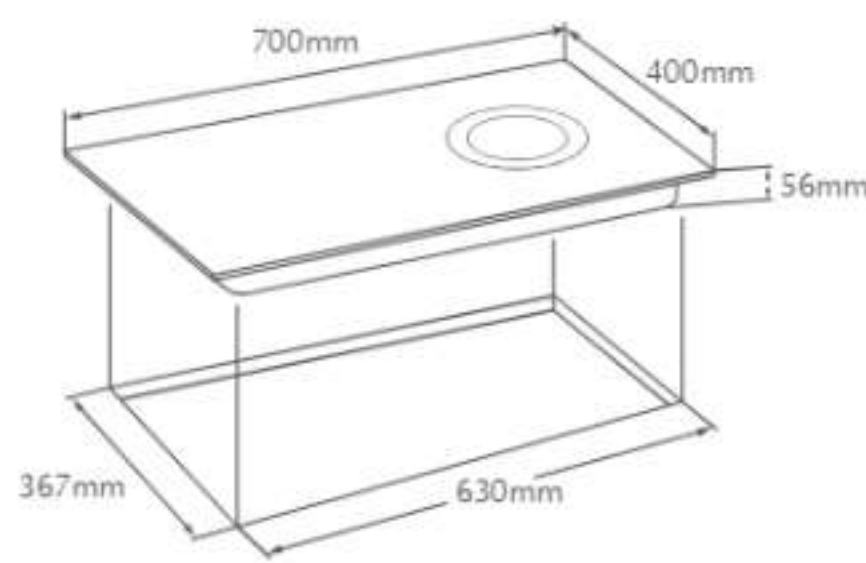
TO BE CONNECTED DIRECTLY TO A MIN. 15AMP
CIRCUIT BREAKER

HOB
EEG60301



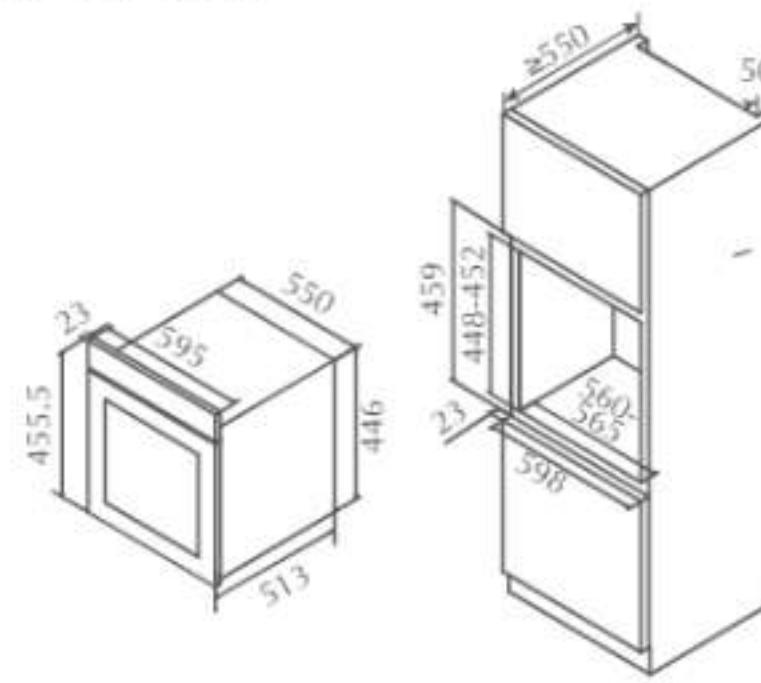
TO BE CONNECTED DIRECTLY TO A MIN. 25AMP
CIRCUIT BREAKER

HOB
MEG70201

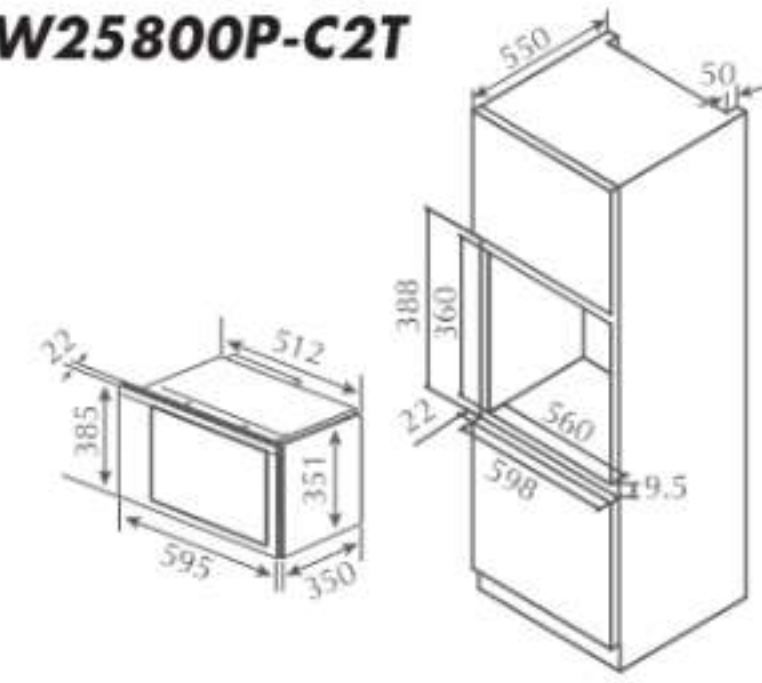


TO BE CONNECTED DIRECTLY TO A MIN. 16AMP
CIRCUIT BREAKER

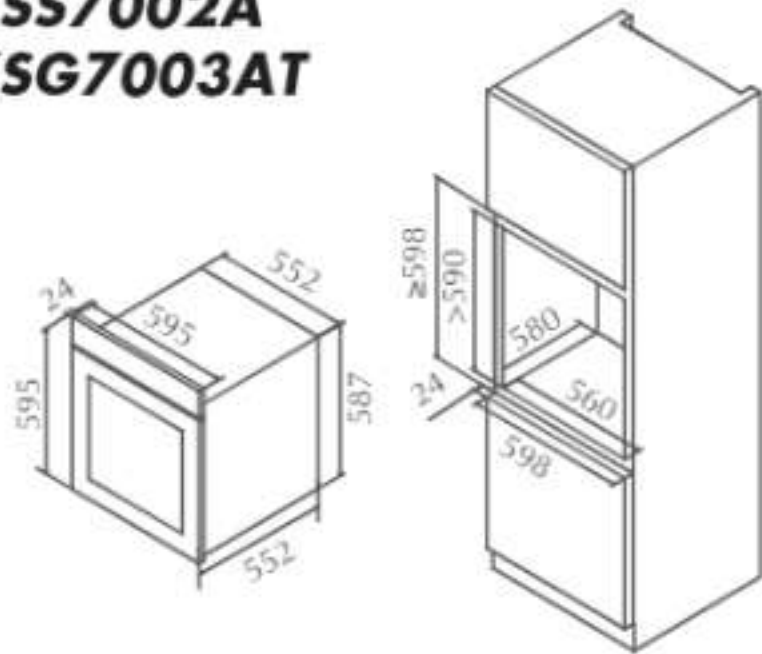
STEAM OVEN
SCD42-C2T



MICROWAVE OVEN
HW25800K-03G
HW25800P-C2T

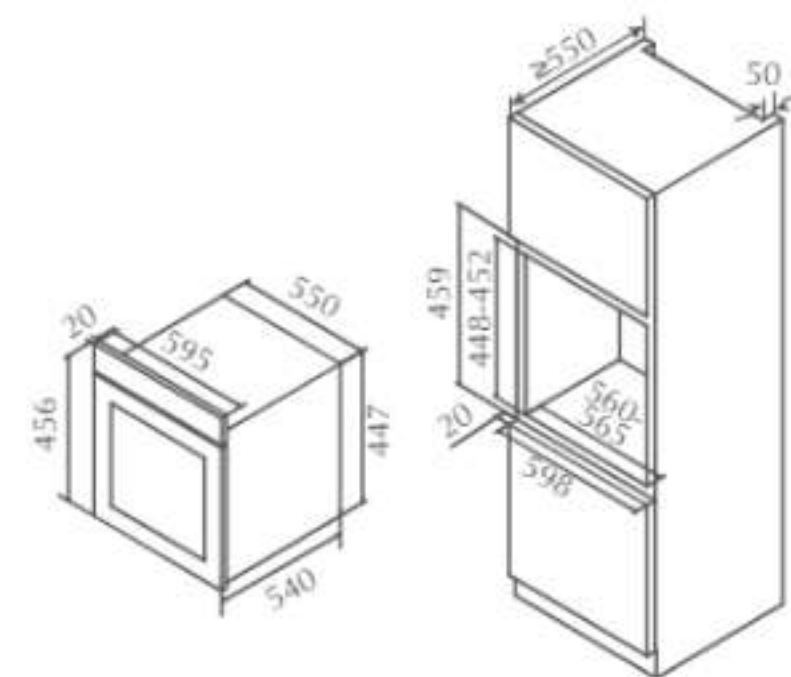


OVEN
KSG7007A
KSS7002A
KSG7003AT



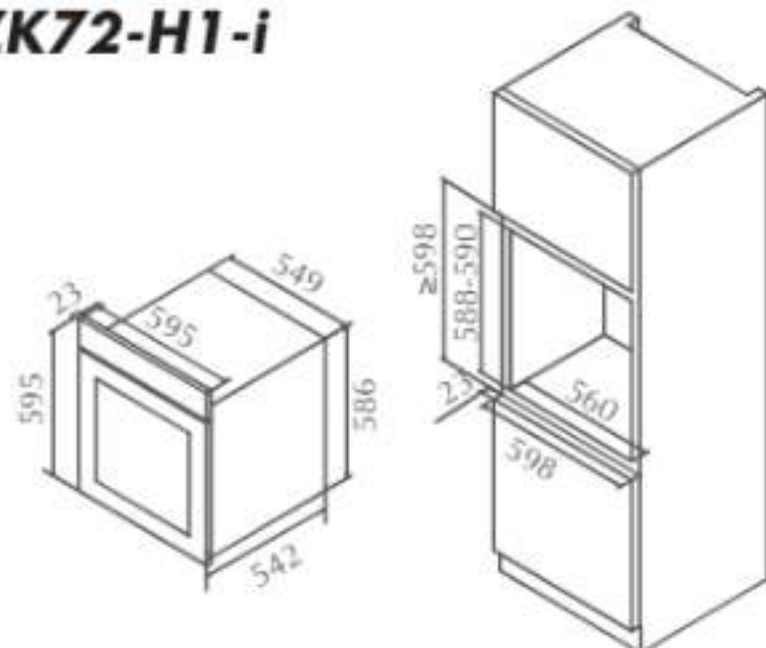
TO BE CONNECTED DIRECTLY TO A MIN. 15AMP
CIRCUIT BREAKER

COMBI OVEN
HZK-TS1.A



TO BE CONNECTED DIRECTLY TO A MIN. 15AMP
CIRCUIT BREAKER

COMBI OVEN
HZK72-H1-i



TO BE CONNECTED DIRECTLY TO A MIN. 15AMP
CIRCUIT BREAKER

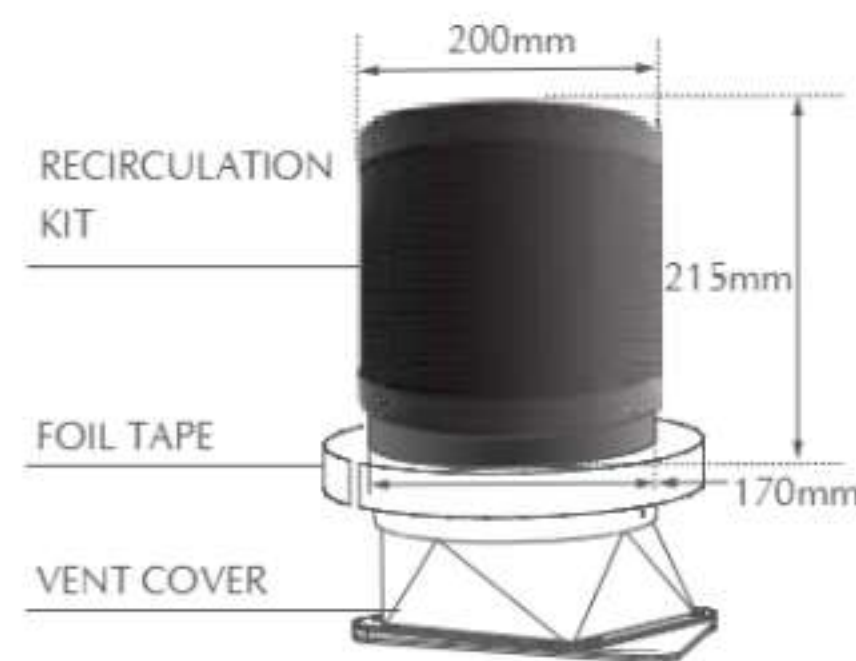
HOOD ACCESSORY

HONEYCOMB RECIRCULATION KIT

Available for all models except for
EMG9008-CR

RCP

RM 198



- Oil filtration rate 96.9%
- High density activated carbon content
- 2.4x carbon mesh density with 20mm thickness
- Non-stick coating for hassle-free cleaning
- Filter replacement after 180 hours of usage
- ★ Recommended only for users that cannot do ducting in their kitchen

1. VENT COVER IS NOT INCLUDED IN THE HONEYCOMB RECIRCULATION KIT.
2. RECOMMENDED ONLY FOR USERS THAT CANNOT DO DUCTING IN THEIR KITCHEN.
3. HONEYCOMB RECIRCULATION KIT NEED TO BE CHANGE EVERY 180 HOURS.
4. RECOMMENDED TO KEEP UPPER CABINET DOOR OPEN OR ENSURE ENOUGH VENTILATION INSIDE

HAPPINESS STARTS IN YOUR KITCHEN

Since its inception in 1996, FOTILE has carved a niche in the industry of being the No.1 high-end kitchen appliances brand in China, specializing in developing built-in kitchen appliances like hoods, hobs, ovens, combi ovens, microwave ovens, steam ovens, dishwashers & water purifier.

We have the largest R&D center in the world covering an area of 8000sqm. With technology, innovation design and performance as the key factors in Fotile manufacturing, we have achieved 13,000+ patents in product and 3300+ in invention, bringing innovative and good quality product to over 17 millions of families around the world. FOTILE commitments to excellence not only bringing satisfaction to our customers, we have won a numerous international accolades namely RedDots design awards, IF Product Design Award that uplifting the industry standard of designs and product innovations.

At FOTILE, our business is built on the foundation of product innovation and creating kitchen appliances that are functional, stylish and family oriented. That is why FOTILE is constantly inventing, designing and creating extraordinary products while maintaining its reputation as a leading kitchen expert that puts families at the first place.

Marking a remarkable milestone, FOTILE has launched its first largest kitchen appliances gallery named the "Fotile Style", located at TaoJiang road, Shanghai, in year 2012. This gallery showcasing the brand's most prestigious kitchen appliances. A 'futuristic corner' is introduced in this gallery, allows visitors to take a glimpse into some of FOTILE'S most innovative technology.

With over 20 years of experience in servicing Malaysian customers, FOTILE Marketing Sdn. Bhd as the sole distributor of FOTILE kitchen appliances in Malaysia, has the expertise to offer functional and stylish kitchen appliances that suited to Asian cooking.

Today, FOTILE Malaysia enjoys its position as a reputable premium kitchenware brand in Malaysia with a strong following of happy and satisfied customers. We strive to innovate our product and service, providing a full spectrum of cooking solutions that caters to every Malaysian kitchen need.

Available in more than 30 countries around the world. 10, 000+ families choose FOTILE every day.

5000+ patents for kitchen appliances*, 900+ patents for invention*, leading technological innovation in the kitchen industry

Dusseldorf, Germany; Osaka, Japan; Ningbo, China; three global centers

Revise international standards* for extractor hoods

* The patents are mainly in China.

* IEC 60335-2-31: Household and Similar Electrical Appliances-Safety-Part 2-31: Particular Requirements for Range Hoods and Other Cooking Fume Extractors.

Authorized Dealer

260401

WARRANTY :

Range Hood - 3-year warranty for general parts,
10-year warranty for motor*

Gas Hob - 2-year warranty for general parts,
10-year warranty for tempered glass*

Electric Hob, Oven, Microwave Oven, Steam Oven,

Combi Oven, Dishwasher - 2-year warranty for general parts*

One Oven Series - 1-year warranty for general parts*


Water Purifier - 2-year warranty for general parts*


*Terms & Conditions apply. Price of hood is inclusive of 1 standard 7" ducting, 1 end cap and 1 flue extension with U bracket. All prices, pictures, colours, models, diagrams & specifications are for reference purposes only and are subject to change without prior notice.

FOTILE Marketing Sdn Bhd

  FOTILEMalaysia

 www.fotile.com.my

 03-8602 9289 (HQ)

 016-207 8978