

FOTILE

SKYLIGHT RANGE HOOD **EMG9070-G**

Skylight Above Clear Air Beneath



Effective Smoke Capturing Performance

Hidden Smoke Control Design

Hidden Smoke Control Design directs fumes into the suction path for more efficient extraction.



Skylight Suction Plate

7-layer materials structure for superior light performance, durability, and easy cleaning.

Quietly Powerful

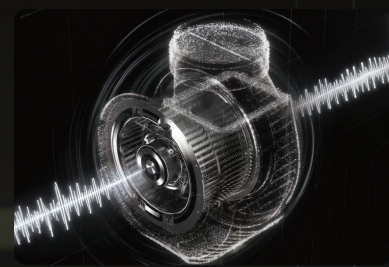


**2600m³/h (Unrestrained)
Air Flow**

Enjoy rapid smoke clearance,
even during high-heat Asian stir-frying.

Rapid Extraction

Wider Coverage: 900mm



NVH Technology

Reduce noise level to as low as
40dB, with the Noise + Vibration +
Harshness (NVH) technology.



Auto Turbo System

Automatically detects duct resistance and adjusts air pressure
(up to 1320Pa) for optimal smoke extraction, preventing backflow
while maintaining stable performance in real home conditions.

Closer to
Smoke Source:
560mm



Skylight Above Every Cooking Moment

Compact Form, Greater Comfort

Slim 470mm depth prevents head bumps. The 560mm distance fits 5-layer pots and handles high-height stir-frying with ease.



470mm

35-Inch Skylight Suction Plate

35-inch Skylight Suction Plate delivers full-area smoke control with instant capturing performance, boosting smoke capture by 38.5%.

Shadow-free lighting reveals true ingredient colors while remaining easy on the eyes.





Thoughtful in Every Detail



Filter-Free

Effortless daily cleaning. The sleek flat surface wipes clean in seconds.



Smart Fresh System

24/7 kitchen air monitoring that detects cooking odors, food waste smells, formaldehyde, gas leaks, and other harmful gases.

Other Features



Smart Sync

Hood turns on automatically when hob is ignited.



Smart SMOTION (Smoke + Motion) Detection

Turn the hood on/off with a hand wave.



Delay Off Timer

Hood will run for 2 minutes at the end to clear lingering smoke.

Product Specification

Product	EMG9070-G SKYLIGHT RANGE HOOD
Certification	CB, SIRIM
Power Supply (V)	220-240V 50Hz
Type of Motor	BLDC
Motor Power (W)	385
Illumination Power in LED (W)	15
Speed Setting	Turbo + 2
Max IEC Airflow (m ³ /h)	1530
Max Unrestrained Airflow (m ³ /h)	2600
Noise Level (dB)	45 / 40
Max Air Pressure (Pa)	1320
Delay Off Timer	2 mins
Control Panel	Touch + Motion
Oil Filter	Filter-Free
Screen Lock	Yes
Sync Function	Yes
Smart Fresh	Yes
Product Dimensions (W x D x H)	900 x 470 x 670



Product Dimension & Installation Diagram

Product Dimension Diagram Unit: mm

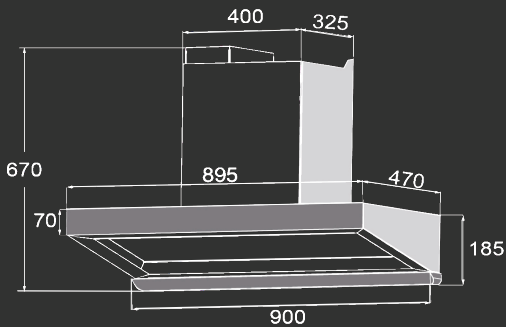


Figure 1 Product Basic Conditions(Unit: mm)

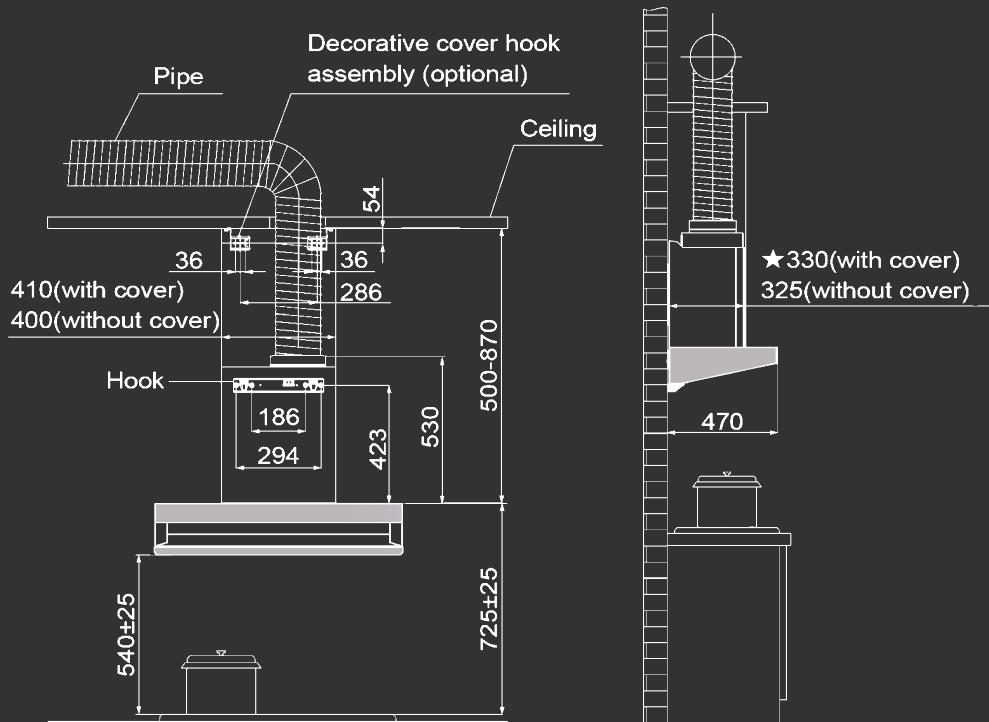


Figure 2 Installation diagram
(★ is the distance from the wall)

