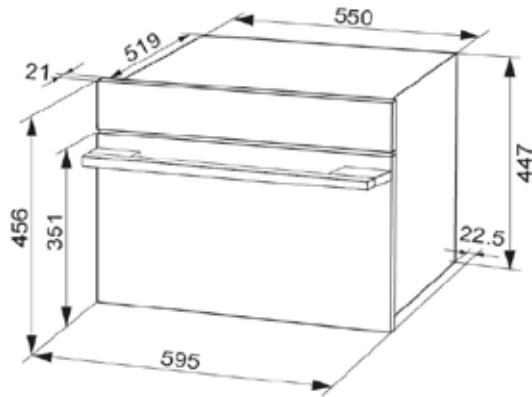
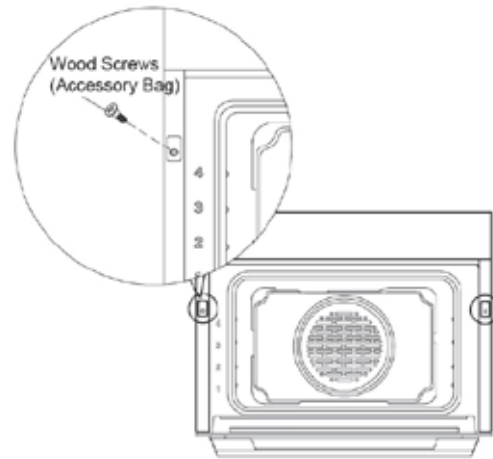


## HZK46-TS3 Installation Diagram

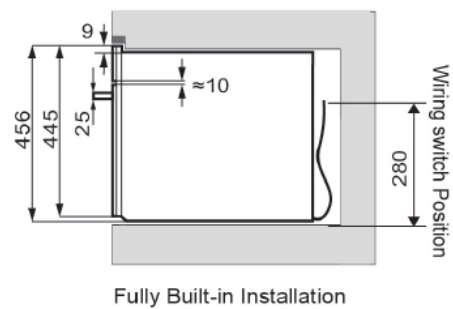
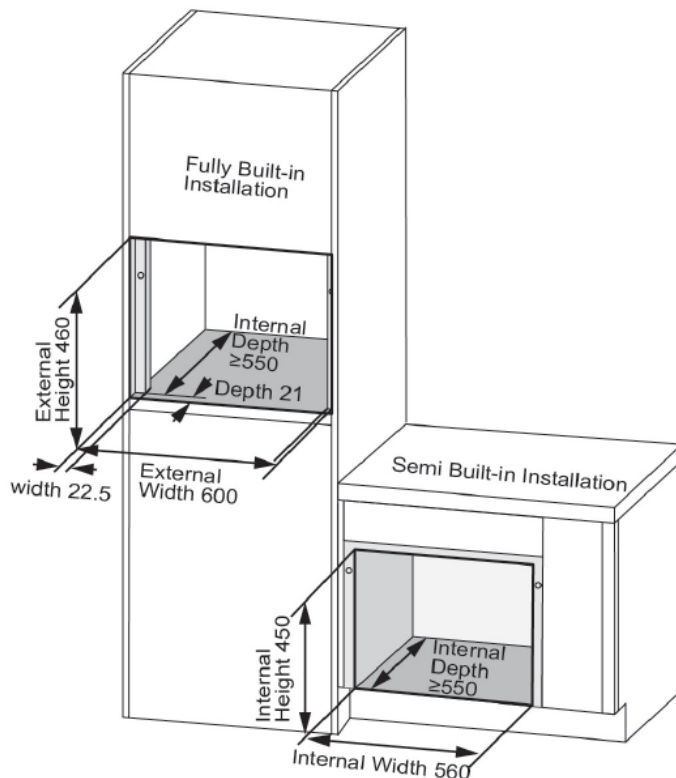
Product Dimensions Diagram Unit: mm



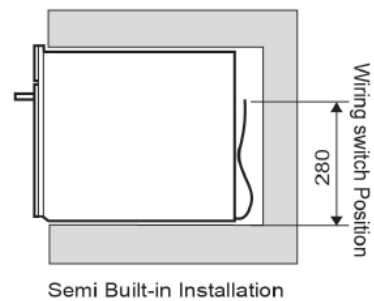
Screw Installation Diagram



Cabinet Cutout Dimension Diagram Unit: mm



Fully Built-in Installation



Semi Built-in Installation

**NOTICE:**

- Power Outlet: The socket for the steam oven combo must be at the position marked on the installation diagram or outside its installation area.
- For fully built-in installations, the fixed plate should be at least 18 mm thick, 50-80 mm wide, 460 mm high, with one plate fixed on each side.
- \* To be connected directly to a min. 15A circuit breaker